



# Installation Operation Maintenance

## CGB air-cooled scroll chillers

Cooling capacity 17-50 kW

## CXB air-to-water scroll heat pumps

Cooling capacity 15-78 kW

Heating capacity 17-87 kW



November 2020

CG-SVX043D-GB

Original instructions

TRANE  
TECHNOLOGIES

## INDEX

1	OVERVIEW .....	3
2	SAFETY REGULATIONS .....	3
3	OPERATING LIMITS .....	7
4	INSTALLATION .....	12
5	ACOUSTIC PROTECTION.....	13
6	ELECTRICAL POWER SUPPLY .....	14
7	WATER CONNECTIONS .....	15
8	ELECTRICAL PANEL.....	33
9	OPERATOR RESPONSABILITIES.....	36
10	START-UP PRELIMINARY PROCEDURES.....	38
12	CHECK LIST – MANDATORY OPERATION CONTROL BEFORE START-UP .....	39
13	START-UP.....	44
14	MAINTENANCE.....	47
15	RECOMMENDED SPARE PARTS .....	51
16	TROUBLESHOOTING.....	52
17	IMPROPER USES .....	54

# 1 OVERVIEW

## 1.1 WARRANTY

Warranty is based on the general terms and conditions of the manufacturer. The warranty is void if the equipment is repaired or modified without the written approval of the manufacturer, if the operating limits are exceeded or if the control system or the electrical wiring is modified. Damage due to misuse, lack of maintenance or failure to comply with the manufacturer's instructions or recommendations is not covered by the warranty obligation. If the user does not conform to the rules of this manual, it may entail cancellation of warranty and liabilities by the manufacturer.

B. Warranty is twelve (12) months as from the date of first start up at installation place or eighteen (18) months after delivery at the project or other delivery location indicated by the customer. The date the unit is operated for the first time means the date reported in the "1st start up form" contained into the "unit log book". This form should be filled in and sent, within 8 days from the start up, to Trane.

C. The warranty is valid if all the installation and start-up instructions have been adhered to (both those which may have come from Trane and those coming from current practice), and if the "1st start up form" has been filled in and sent to the Trane after sales department.

D. The warranty is subject to any faults or defects being reported within eight days from their discovery. The warranty will only be applied if and when the purchaser suspends use of the equipment as soon as a defect has been found.

E. The warranty is valid in case the commissioning and the first start-up of the CGB/CXB unit is carried out by a Trane authorized assistance center.

F. The warranty is subject to regular maintenance of the unit which is appropriately indicated in the "unit log book" located inside the electrical panel.

G. Warranty automatically ends in case of payments not fulfilled, non-performance of the contract or if the units show tampering without written approval of Trane.

## 1.2 RECEIVING THE UNIT

On receiving the unit, it is up to the customer to check that there is no obvious damage or pieces missing. If this is the case, an immediate complaint must be made to the carrier for damage or for not-delivery and the Receiving Card to be found inside the unit electrical panel must be filled in. Photographic evidence must be provided for macroscopic damage. The card must be sent to Trane within 8 days of receiving the goods: if it is not sent back or delayed, the complaint will not be accepted.

## 1.3 FACTORY INSPECTION

Trane units are inspected in the factory. Each performance test carried out on the unit is possible only if the same conditions are reproduced and maintained (charge consistency, constant temperature and evaporation - condensation and recovery capacity, quality and tolerance of the measuring instruments etc.) in the test rooms.

The inspection conditions are those indicated by the customer during the ordering phase: if not otherwise specified, reference should be made to the nominal performance indicated in the technical bulletin in force at the date of the Confirmation of the Order.

# 2 SAFETY REGULATIONS

All units are designed, built and inspected in compliance with Pressure Equipment Directive (PED97/23/EC or 2014/68/EU) and Machinery Directive 2006/42/EC.

## 2.1 ACCESS TO DANGEROUS AREAS

The access to the unit dangerous areas is usually obstructed with protection panels, which are only removable by using a tool. Axial fans are protected with accident prevention grilles.

For all the units which allow access to the cooling piping without security gratings (optional) or closing paneling, the following precautions must be taken:

- mark the areas with contact risks.
- apply warning signs.

The danger zone must be of a suitable size to avoid any contact, even accidental contact.

Trane declines any responsibility for damage to things and unauthorized personnel in case of absence of clear and static limiting systems of the risk areas and of the relevant warning and danger signs.

## 2.2 GENERAL PRECAUTIONS

The operator must only intervene on the unit controls; he or she must not open any panels except for the one which gives access to the command module.

The installer must only intervene on the connections between the plant and the machine; he or she must not open any machine panels nor carry out any commands.

The following precautions should be made when approaching or working on the unit:

- Do not wear jewelry, baggy clothes or any other accessory which can get caught up.

- Use appropriate protection (gloves, glasses etc.) when using an open flame (welding) or compressed air.
- If the unit is located in a closed environment, wear hearing protection.
- Before disconnecting, removing tubes, filters, joints or other line parts intercept the connection tubes, empty them until the pressure reaches that of the atmosphere.
- Do not use your hands to check for possible pressure losses.
- Always use tools which are in good condition; make sure the instructions have been fully understood before using them.
- Make sure that any tools, electrical cables or other loose objects have been removed before closing the unit and starting it up again.

### **2.3 GENERAL PRECAUTIONS AGAINST RISKS DUE TO REFRIGERANT**

Refer to refrigerant safety data sheet.

### **2.5 PRECAUTIONS AGAINST RESIDUAL RISKS**

Prevention from risks due to the control system

- make sure the instructions for use have been understood before carrying out any work on the control panel.
- always keep the instruction manual close at hand when working on the control panel.
- start up the unit only after having certified that it is correctly connected to the plant.
- inform the technician promptly of any alarms which appear on the unit.
- do not reset the alarms to manual restart without having first identified the root cause(s) and removed these.

### **2.6 PREVENTION AGAINST RESIDUAL MECHANICAL RISKS**

- install the unit in accordance with the provisions of this manual.
- carry out all the maintenance operations provided by this manual regularly.
- wear a protective helmet before entering inside the unit.
- before opening a machine panel make sure that it is firmly connected by means of a hinge.
- do not touch the air condenser coils without protective gloves.
- do not remove the protections to the moving parts while the unit is running.
- before restarting the unit make sure that the moving part protections are in the correct position.

### **2.7 PREVENTION AGAINST RESIDUAL ELECTRICAL RISKS**

- connect the unit to the mains in accordance with the provisions of this manual.
- carry out all maintenance operations regularly.
- before opening the control panel disconnect the unit from the mains by means of the external disconnect switch.
- check that the unit has been earthen correctly before starting it up.
- control all the electrical connections and the connection cables paying particular attention to the state of isolation; replace the cables which are clearly worn or damaged.
- carry out periodic checks of the wiring inside the panel.
- do not use cables with an inappropriate section or flying connections not even for a limited period or in an emergency.

### **2.8 PREVENTION AGAINST RESIDUAL RISKS OF A DIFFERENT NATURE**

- the residual risks due to pressure are mainly coming from a failure of the safety devices. To prevent them it is necessary to check and replace them when required
- carry out the plant connections to the unit by following the indications reported on the following manual and on the panels of the unit itself.
- if a part is disassembled, make sure that it is correctly reassembled before restarting the unit.
- do not touch the discharge line of the compressor, the compressor itself or any other tube or component which is inside the machine without protective gloves.
- keep a fire extinguisher which is able to put out fires on electrical equipment near the machine.
- in the event of fire either if it originates on the unit or near it make sure the power supply to the unit is promptly cut and that any person who might be near the unit at that moment is moved to a secure location.
- on units installed inside, connect the refrigerant circuit shut off valve to a network of tubes which are able to lead the possible spillage of refrigerating fluid outside.
- eliminate any fluid loss inside or outside the unit.
- collect the discharge liquid and clean up any possible oil leakage.
- periodically clean the compressor casing of the accumulated dirt deposits.
- do not keep inflammable liquids near the unit.
- do not dispose of the refrigerant fluid and the lubricating oil in the environment.
- welding should only be carried out on empty tubes; do not approach the tubes containing refrigerant fluid with flames or other sources of heat.
- do not bend or strike tubes containing pressurized fluids.

## 2.9 PRECAUTIONS TO BE OBSERVED DURING MAINTENANCE OPERATIONS

Only authorised technicians may carry out maintenance operations. Before carrying out any maintenance the following must be performed:

- isolate the unit from the mains electricity by using the external disconnect switch.
- place a notice on the external disconnect switch which says “do not use - maintenance in progress”.
- make sure that any possible on-off controls are disabled.
- wear appropriate safety equipment.

If measurements or controls must be carried out which require the machine to be running the following observations must be followed:

- operate with the electrical panel open for as short a time as is possible.
- close the electrical panel as soon as the individual measurement or control has been carried out.
- for units which are located outside, do not carry out interventions in dangerous atmospheric conditions such as rain, snow, fog etc.

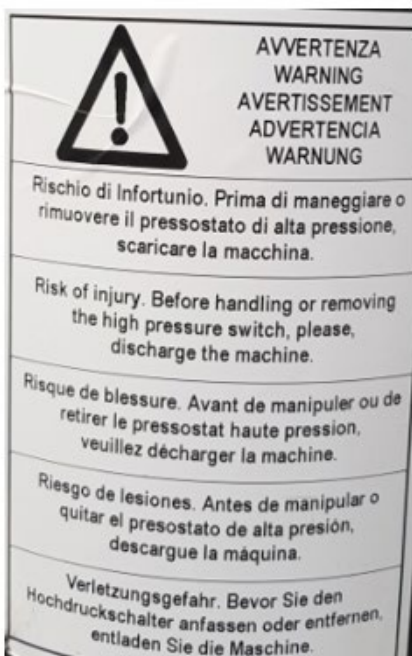
The following precautions should also be taken at all times:

- never dispose of fluids contained in the refrigerant circuit into the environment.
- when replacing the electronic card always use appropriate equipment (extractor, anti-static bracelet, etc.).
- if a compressor, the evaporator, the condensation batteries or any other heavy part is to be replaced, make sure that the lifting equipment matches the weight to be lifted.
- if the unit has an independent compressor compartment, do not open the ventilator compartment without having first isolated the machine using the disconnect switch on the side of the panel and only after having placed a sign which says “do not use - maintenance in progress”.
- if modifications must be carried out to the cooling, hydraulic or electrical circuit of the unit, as well as to its command logic, contact Trane.
- if particularly complicated assembly or disassembly operations are to be carried out, contact Trane.
- always use original spare parts bought directly from Trane or from official dealers of the companies in the list of recommended spare parts.
- if the unit is to be moved after a year of being in the site or if it has to be dismantled, contact Trane.

**IMPORTANT! No high pressure safety valve is installed on the unit.**

The unit fail safe is assured by cut-out of the electrical power supply to the coils of the compressors' contactors. The cut-out action is carried out by the electrical contact of the unit high pressure switch which is displayed with the label PA in the refrigerant schemes in chapter 8 REFRIGERANT SCHEMES.

No Schrader valve is installed in the port of unit the high pressure switch is plugged into. The following sign is displayed on one of the two compressors and on the metal panel inside the carpentry of the unit like in Figure 1:



The following instruction must be observed:

**WARNING! DO NOT PULL OUT THE UNIT HIGH PRESSURE SWITCH IF THE UNIT IS NOT COMPLETELY VOID OF REFRIGERANT. FAILURE TO FOLLOW THIS INSTRUCTION COULD RESULT IN DEATH OR SERIOUS INJURY**

## **2.10 MANUAL ALARM RESET**

If there is an alarm the unit must not be manually reset before having located and eliminated the root cause of the fault. Repeated manual resets may result in the warranty be void.

### 3 OPERATING LIMITS

#### 3.1 STORAGE

The units can be stored within the following environmental conditions:

Min ambient air temperature : -10°C  
Max ambient air temperature : +53°C  
Max relative humidity : 95% not condensable

**CAUTION:** Storage in very high humidity (risk of condensation) can damage electronic components.

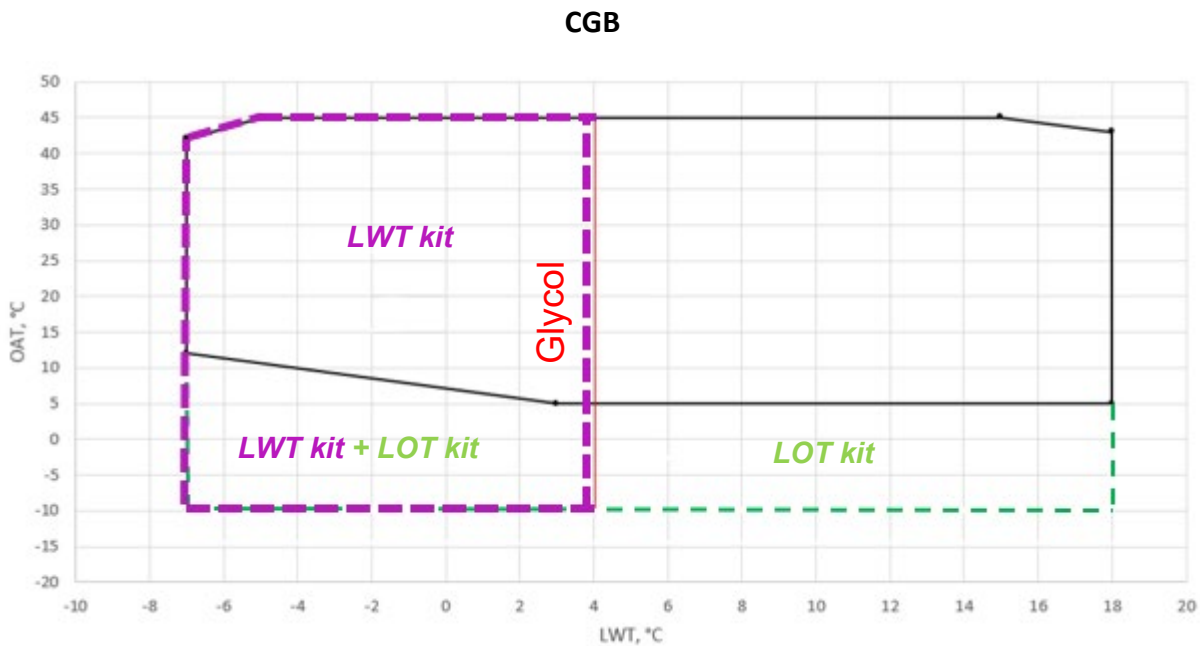
#### 3.2 OPERATING LIMITS

Unit operation is permitted within the limits indicated in the diagram provided in 3.3.

**CAUTION:** The operation outside the limits specified may cause the activation of the protections and disrupt the operation of the unit and, in extreme cases, damage the unit. In case of doubt, consult the factory.

These operating limits apply to units operating at full load.

#### 3.3 OPERATING RANGE



**OAT** = Outdoor Air Temperature [°C]

**LWT** = Leaving Water Temperature [°C]

**LOT KIT** (Low ambient kit down to -10 °C):

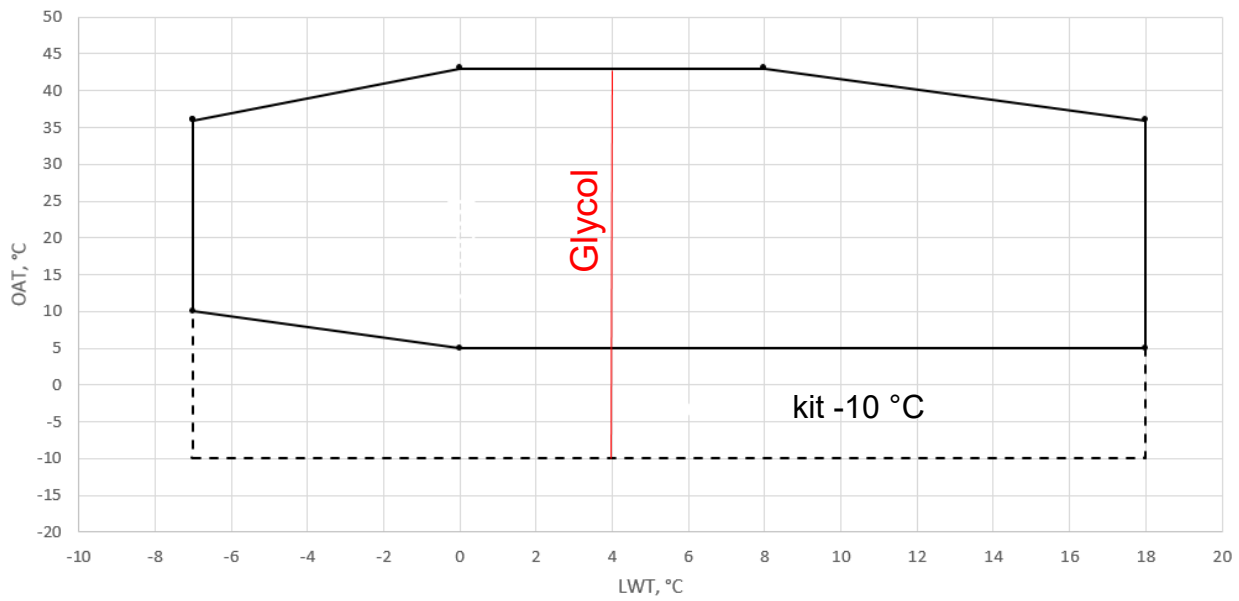
- EC fans
- Dual fan steps
- Heater in control box
- Dual insulation on heat exchanger
- Second heater on heat exchanger

**LWT KIT** (Low water leaving temperature down to -7 °C) *\*(mandatory for leaving water temperature below 4 °C):*

- Liquid receiver

\* Sizes CGB **036**, CGB 039, CGB 045 and CGB 050 mount EC fans as standard. CGB 033 mounts nr.1 AC fan + nr.1 EC fan as standard. The remaining sizes mount AC fans as standard.

## CXB CHILLER MODE UP TO SIZE 050



**OAT** = Outdoor Air Temperature [°C]

**LWT** = Leaving Water Temperature [°C]

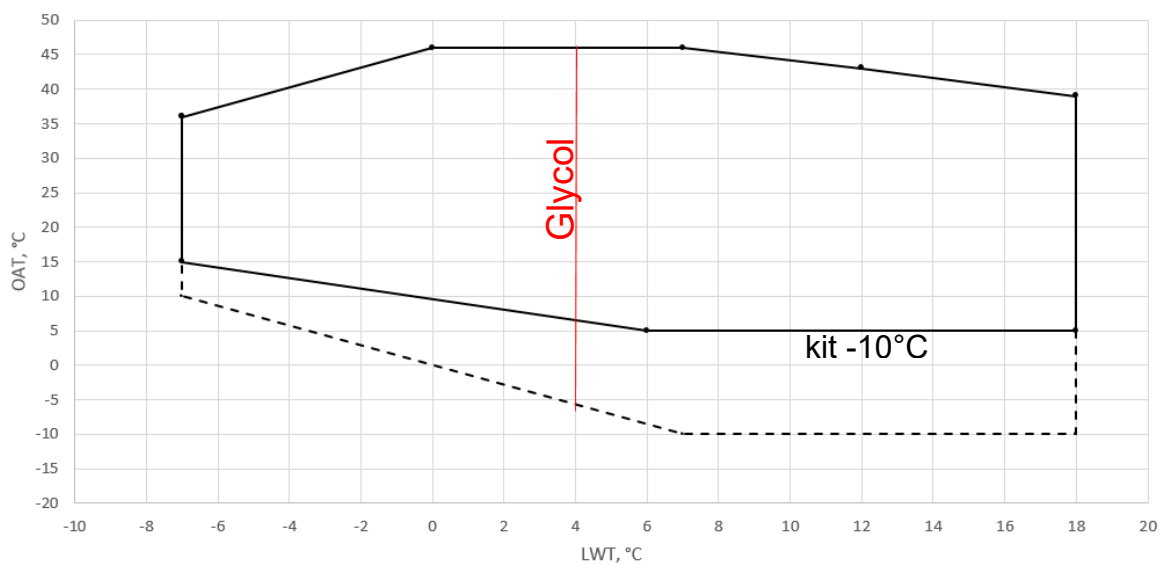
### Low outdoor air kit down to -10°C:

- EC fans
- Dual fan steps
- Heater in control box
- Dual insulation on heat exchanger
- Second heater on heat exchanger

\* Sizes CXB 045 and 050 mount EC fans as standard.



## CXB CHILLER MODE FROM SIZE 055 TO SIZE 090



**OAT** = Outdoor Air Temperature [°C]

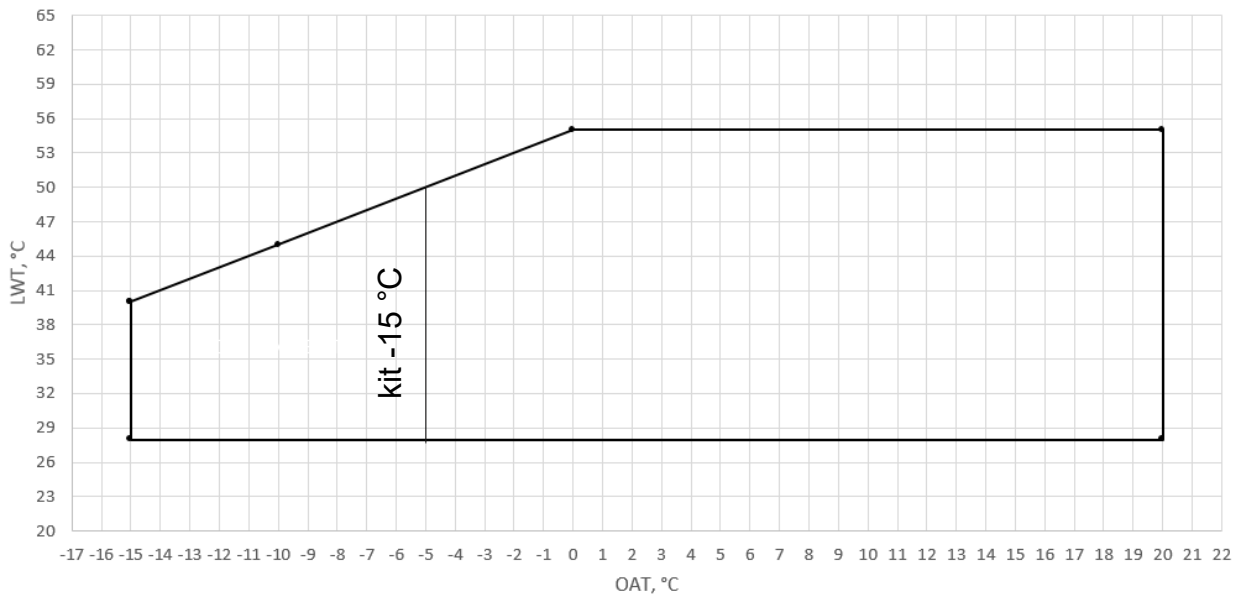
**LWT** = Leaving Water Temperature [°C]

### Low ambient kit down to -10°C:

- EC fans
- Dual fan steps
- Heater in control box
- Dual insulation on heat exchanger
- Second heater on heat exchanger

\* Sizes of CXB from size 050 to size 090 mount fans driven by a continuous speed regulation by phase cut as a standard.

## CXB HEAT PUMP MODE UP TO SIZE 050



**OAT** = Outdoor Air Temperature [°C]

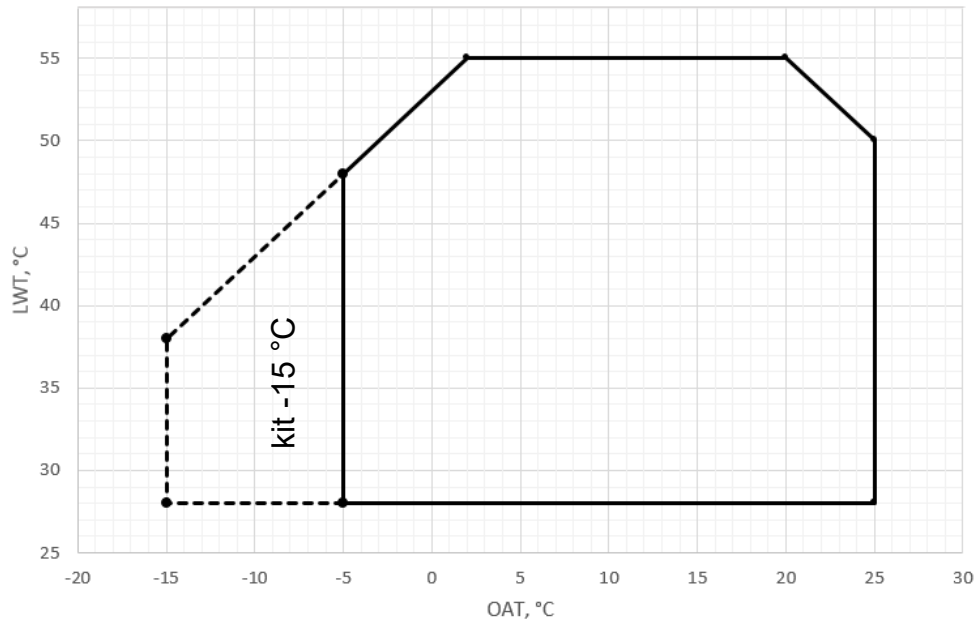
**LWT** = Leaving Water Temperature [°C]

### Low ambient kit down to -15°C:

- Advanced controller (I-Pro)
- Digital defrost
- Heater in control box
- Dual insulation on heat exchanger
- Second heater on heat exchanger

\* Sizes CXB 045 and 050 mount EC fans as standard.

## CXB HEAT PUMP MODE FROM SIZE 055 TO SIZE 090



**OAT** = Outdoor Air Temperature [°C]

**LWT** = Leaving Water Temperature [°C]

### Low ambient kit down to -15°C:

- Advanced controller (I-Pro)
- Digital defrost
- Heater in control box
- Dual insulation on heat exchanger
- Second heater on heat exchanger

\* The sizes of CXB from size 050 to size 090 mount fans driven by a continuous speed regulation by phase cut as a standard.

### ETHYLENE GLYCOL CORRECTION TABLE

% Ethylene glycol weight		10%	15%	20%	25%	30%	35%
<b>Lowest outlet water temperature</b>	°C	4	2	0	-2,8	-6	-10
<b>Suggested security limit Cooling capacity coefficient</b>	°C	1	-1	-4	-6	-10	-14
<b>Power input coefficient</b>	-	0,99	0,985	0,981	0,977	0,974	0,971
<b>Flow rate coefficient</b>	-	1,04	1,05	1,07	1,08	1,09	1,11
<b>Pressure drop coefficient</b>	-	1,11	1,17	1,23	1,31	1,39	1,47

In order to calculate performance with glycolated solutions, multiply main sizes by respective coefficients.

### GLYCOL PERCENTAGE DEPENDING ON FREEZING TEMPERATURE

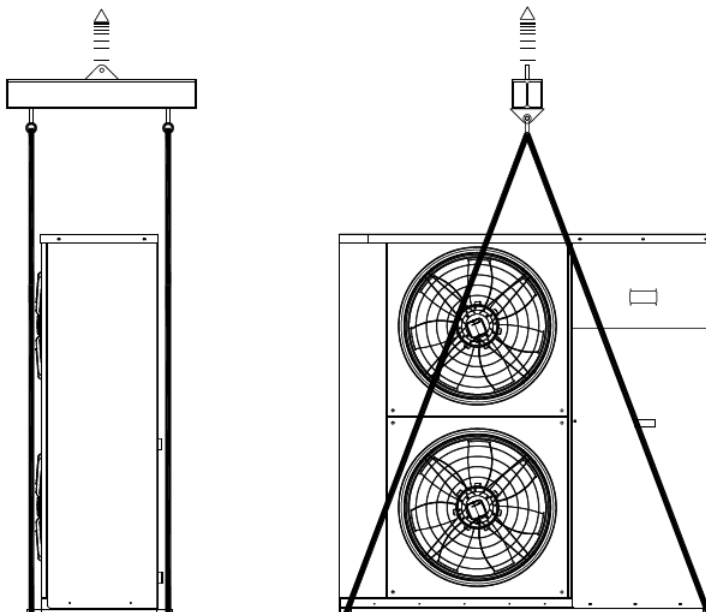
Freezing temperature	% glycol according to the freezing temperature						
	0°C	-5°C	-10°C	-15°C	-20°C	-25°C	
<b>% Ethylene glycol</b>	5%	12%	20%	28%	35%	40%	
<b>Flow rate coefficient</b>	1,02	1,04	1,07	1,09	1,11	1,13	

In order to calculate the unit performance, flow rate and pressure drop when operating with a certain percentage of ethylene glycol multiply with the above provided correction coefficients.

## 4 INSTALLATION

### 4.1 MOVING AND POSITIONING THE UNIT

The units have been designed to be lifted from above by means of eyebolts and holes in the base frame. Use retractor bars to keep the lifting wires or chains away from the unit. Lifting procedures provided with the unit have to be respected.



Correct lifting procedure

#### CAUTION!

Do not use forklift trucks to lift the unit from below. If equipment for lifting from above is not available, using rollers may move the unit. The surface on which the unit is placed must be flat and strong enough to withstand the weight of the unit while running. In order to reduce the transmission of vibrations to the supporting structures, fit shock absorbers in every fastening point. Rubber shock absorbers are recommended for units installed on the ground, spring shock absorbers for units installed on roofs. Open spaces around the unit must be provided to allow for the passage of necessary airflow and to allow normal maintenance to be carried out.

**IMPORTANT:** Make sure that during transport the unit ALWAYS remains in the correct position.

Horizontal positioning of the unit can lead to irreversible damage to the compressors. Damage arising from incorrect transport will not be under warranty by the manufacturer. Immediately report an incorrect receipt of goods.

An arrow positioned upward indicates the vertical position of the unit.



## 4.2 MINIMUM SPACE REQUIREMENTS

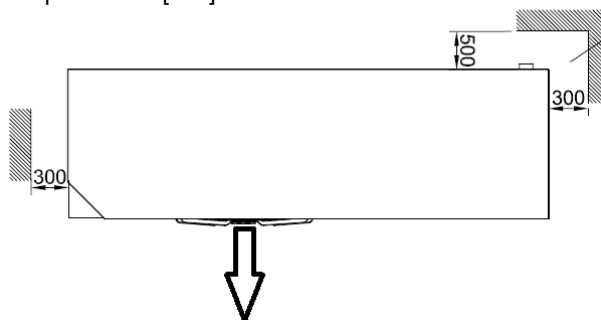
Dimensional drawings and minimum distances shall be respected to avoid:

- Noise
- Incorrect heat exchange and ventilation
- Difficult maintenance or inaccessibility to components

Limited installation space could reduce the normal air flow, thus significantly reducing unit performance and considerably increasing consumption of electrical energy.

**CAUTION!** In case two units have to be installed side by side, the distance to respect must be doubled.  
After the unit has reached the final position, fix the anti-vibration bolts.

Figure 4 - Minimum space requirements [mm]



## 4.3 PRECAUTIONS FOR DOMINANT WINDS

Avoid obstacles on suction and discharge sides of the units. In case of presence of dominant winds in the installation area, it is strictly necessary to avoid (for units with horizontal flow fans) that such winds blow in front of the unit (fans discharge side). In case of unit with vertical flow fans, it is strictly necessary to avoid installations where the dominant winds could cause rejected hot air to come back to the condensing coils.

## 4.4 PRECAUTIONS AGAINST DIRECT SUNSHINE

Direct solar radiation can raise the temperature of condensation until it causes the unit shut down or failure of start-up of the same by action of the high pressure switch.

## 4.5 PRECAUTIONS AGAINST THE PRESENCE OF FIREPLACES AND EXHAUST HOT AIR

Avoid installation of the machines downwind of chimneys, smokestacks and different effluent discharges.

## 4.6 PRECAUTIONS AGAINST THE PRESENCE OF FOLIAGE AND FOREIGN BODIES

Avoid installing the unit in the immediate vicinity of plants that can prevent proper intake and discharge air.

## 4.7 CONTROL OF COMPRESSOR FASTENING

The scroll compressors are fitted on shock absorbers. For fixing through spring anti-vibration mounts, remove blockages put to fasten the compressors, as indicated on the label on compressors body.

# 5 ACOUSTIC PROTECTION

When the sound level must be checked, pay maximum attention to isolate the unit base frame properly applying the anti-vibration mounts (provided optionally). Also, install flexible joints on the water connections.

## **6 ELECTRICAL POWER SUPPLY**

The mains power supply characteristics must match the unit's absorption. The mains power supply tension must correspond to the nominal value  $\pm 10\%$ , with a maximum difference between the phases of 2%.

### **6.1 POWER CONNECTIONS**

Protect the unit electric box power supply circuit with protection devices (not included in the supplied equipment). Connect the line terminals with a three-core cable of a section which is appropriate to the machine absorption. The switch and the fuses like all the power connections must comply with the regulations in force.

### **6.2 IMBALANCE BETWEEN THE SUPPLY TENSION PHASES**

Do not run the electrical motors when the voltage unbalance between the phases is more than 2%. Use the following formula to check:

$$\% \text{ Imbalance} = [(V_x - V_{ave}) \times 100 / V_{ave}]$$

$$V_{ave} = (V_1 + V_2 + V_3) / 3$$

$V_x$  = phase with greatest difference from  $V_{ave}$  (without regard to the sign)

**IMPORTANT:** If the mains voltage has an imbalance of above 2%, contact the company, which distributes the electrical energy. If the unit functions with a unit voltage imbalance between the phases of above 2% the warranty is invalid.

### **6.3 UNIT VOLTAGE PHASING**

It is important that proper rotation of the compressors be established before the unit is started. Proper motor rotation requires confirmation of the electrical phase sequence of the power supply. The motor is internally connected for clockwise rotation with the incoming power supply phases A-B-C.

## 7 WATER CONNECTIONS

### 7.1 EVAPORATOR

The connection schemes related to the evaporator are featured in the paragraph 7.6 HYDRAULIC VERSIONS.

Piping must be adequately supported so that their weight does not damage the CGB chiller or CXB heat pump.

It is necessary that the water flow rate to the unit is compatible with the evaporator one. It is also necessary that the water flow rate is kept uniform while the unit is running: it is suggested to use always a pump system dedicated to the unit and independent from the remaining part of the plant.

Before storing units in temperatures around 0°C, evacuate the exchanger with compressed air in order to avoid breakings due to ice.

If the unit is installed in order to replace another, the entire hydraulic system must be emptied and cleaned before the new unit is installed. Regular tests and proper chemical treatment of water are recommended before starting up the new unit.

In the event that glycol is added to the hydraulic system as anti-freeze protection, pay attention to the fact that intake pressure will be lower, the unit's performance will be lower and water pressure drops will be greater. All unit-protection methods, such as anti-freeze, and low-pressure protection will need to be reset. Before insulating water piping, check that there are no leaks.

**CAUTION! Install a mechanical water filter at the water inlet of each heat exchanger.** Failure to install the filter allows access of solid particles and / or welding slag inside the heat exchanger. We recommend the installation of a filter having filtering net with holes not exceeding 0.5 mm in diameter.

Trane cannot be held responsible for any damage to heat exchangers due to the lack of good quality water filters.

#### 7.1.1 Calculation of total minimum water content and flow rates

The unit needs a minimum water content according to the following formulas:

Cold water heat production				
CGB	V	K	Q min	Q max
	[m3]		[m3/h]	[m3/h]
CGB 017	0,08	1894,0	1,8	4,7
CGB 020	0,09	1838,7	2,0	5,4
CGB 025	0,12	1748,8	2,6	7,1
CGB 028	0,14	975,3	3,0	8,1
CGB 033	0,16	951,9	3,6	9,5
CGB 036	0,18	933,6	3,9	10,5
CGB 039	0,19	920,7	4,3	11,4
CGB 045	0,22	541,1	4,8	12,8
CGB 050	0,24	529,0	5,3	14,2

**V:** minimum water content of the plant

**Q min:** minimum water flow to the heat exchanger

**Q max:** maximum water flow to the heat exchanger

$\Delta T_{\text{max chiller}} = 8 \text{ }^\circ\text{C}$

$dpw = K \cdot Q^2 / 1000 Q = 0,86 P / \Delta T$

CXB	Cold water heat production				Hot water heat production			
	V [m3]	K	Q min [m3/h]	Q max [m3/h]	V [m3]	K	Q min [m3/h]	Q max [m3/h]
<b>CXB 017</b>	-	1292,4	1,6	4,3	0,15	1097,7	1,9	5,0
<b>CXB 020</b>	-	1271,5	1,8	4,9	0,17	1071,2	2,2	5,8
<b>CXB 025</b>	-	1211,1	2,4	6,3	0,23	1033,6	2,9	7,6
<b>CXB 028</b>	-	678,9	2,7	7,2	0,27	578,5	3,3	8,9
<b>CXB 033</b>	-	665,7	3,1	8,2	0,31	568,5	3,8	10,2
<b>CXB 036</b>	-	652,9	3,3	8,9	0,34	556,9	4,3	11,3
<b>CXB 039</b>	-	643,9	3,6	9,5	0,37	553,1	4,6	12,2
<b>CXB 045</b>	-	387,3	4,3	11,6	0,42	337,7	5,2	13,9
<b>CXB 050</b>	-	381,8	4,8	12,9	0,47	332,4	5,8	15,6
<b>CXB 055</b>	-	202,0	5,4	14,4	0,49	200,0	6,1	16,4
<b>CXB 065</b>	-	197,6	6,2	16,6	0,57	194,2	7,2	19,1
<b>CXB 080</b>	-	83,4	7,7	20,4	0,68	82,2	8,5	22,6
<b>CXB 090</b>	-	78,6	8,4	22,5	0,75	77,2	9,4	25,0

**V:** minimum water content of the plant

**Q min:** minimum water flow to the heat exchanger

**Q max:** maximum water flow to the heat exchanger

$\Delta T_{\text{max chiller}} = 8 \text{ }^\circ\text{C}$

$\Delta T_{\text{max heat pump}} = 8 \text{ }^\circ\text{C}$

$dpw = K \cdot Q^2 / 1000 Q = 0,86 P / \Delta T$

**IMPORTANT:** If pump driven by an inverter (either unit onboard pump or external pump) in every working condition the variation of the water flow rate must be as low as possible. Variation must be less than 10% of the nominal flow rate per minute

## 7.2 WATER CIRCUIT REGULATION EQUIPMENT

*Centrifugal motor pump block* - Assures the discharge and the prevalence necessary to supply tube nest evaporator, the tank and the utility.

*Automatic filling unit* - Assures the water pressure in the plant is maintained at least 1.5 bar, automatically resetting it when necessary.

*Safety valve* - Takes care of opening the plant in atmosphere if the pressure exceeds the value of 3.5 bar.

*Expansion tank* - Takes care of compensating small water hammering and variations of volume for different temperatures.

*Check valves* - Take care of intercepting the pump for possible maintenance.



### 7.3 WATER TREATMENT

Before putting the unit into operation, clean the hydraulic circuit. Dirt, scales, corrosion residue and other extraneous material can accumulate inside the heat exchanger and reduce its heat exchanging capacity. Pressure drops can increase as well, and thus reduce the water flow. Proper water treatment therefore reduces the risk of corrosion, erosion, scaling, etc. The most appropriate water treatment must be determined locally, according to the type of system and to the local characteristics of the process water.

Trane is not responsible for damage to or malfunctioning of equipment caused by failure to treat water or by improperly treated water. Contact a specialist for recommendations.

### 7.4 PRECAUTION AGAINST FROST RISK OF THE HYDRAULIC PIPES

It is necessary to insulate pipes in the plant to avoid extreme heat loss and to protect them from weather conditions. The problem of water pipes freezing could appear in two different situations:

1. Stand by, with mode on, but electrically connected: in this case, the unit has frost resistances, which protect the water locally contained in the exchangers and in the pipes from ice formation. These resistances do not ensure protection against the frost in the outdoor connection pipes, to be prevented by frost protection systems. Trane suggests to insert frost thermostatic resistances on every outdoor pipe, according to the indicative electric power values per pipe linear meter in the table below.

#### Heating cable required power

dn	inch	W / m
8	1/4"	5
10	3/8"	5
15	1/2"	5
20	3/4"	10
25	1"	13
40	1" 1/2	30
50	2"	50
65	2" 1/2	80
80	3"	120
100	4"	200
125	5"	300
150	6"	450

2. Electrically unconnected unit: in this case the frost resistances of the unit could not warranty the protection. It is necessary to add the correct glycol quantity indicated in the ethylene glycol correction table. Please consult Trane service for % of glycol required.

#### 7.4.1 Precaution for very low outdoor temperatures

In case of installation conditions with a very low outdoor temperature:

1. If there is a storage on board the unit, insert electric resistances to be calculated by:  
 $PrWatt = V \times (10 - tmin) / 860$   
where: *PrWatt* is the resistance power (Watt) and *tmin* is the lower temperature (°C)
2. If there is no storage, maintain the water temperature higher than 10°C by inserting thermostatic resistance with power calculated as in case 1.

## 7.5 ANTIFREEZE PROTECTION ON THE HEAT EXCHANGER

Two or more protection methods should be foreseen when designing the system as a whole:

1. Continuous water flow circulation inside piping and exchanger when ambient air temperature is holding below 5 °C. This implies what follows:

- if the water flow inside piping and exchanger of the unit is due to an external pump installed by the customer, the on/off command of this pump must always be the one provided by the unit controller through the relevant free potential contact in the electrical cabinet.

- as long as the ambient air temperature is holding below 5 °C the unit must always be electrically supplied. Moreover, the customer pump, if present, must always be electrically supplied alike and functioning properly.

2. Addition of an appropriate amount of glycol inside the water circuit.

3. Additional heat insulation and sufficient heating of exposed piping.

**IMPORTANT:** Various optional kits are available.(it is not included in the Low ambient kit down to either -10°C or -15°C) for the protection of all the components of the hydraulic circuit inside the unit (pumps, pipes and tank).

4. Emptying and cleaning of the heat exchanger during the winter season.

It is the responsibility of the installer and/or of local maintenance personnel to ensure two or more of the described antifreeze methods. Continuously verify, through routine checks, that appropriate anti-freeze protection is maintained.

Failure to follow the instructions above could result in damage to some of the unit's components. Damage from freezing is not covered by the warranty.

**CAUTION:** The unit water pipes are not protected against the risk of water freeze-up when the unit is not electrically powered and when the power and control of the external water pump is not managed by the CGB/CXB unit controller. The owner or local maintenance personnel must provide appropriate solutions to prevent freezing.

**CAUTION:** A power loss of 15 minutes during freezing can damage the evaporator.

## 7.6 HYDRAULIC VERSIONS

Units are available in two hydraulic versions characterized by complete kits of all major hydraulic components for an easier installation, with reduced time, cost and space.

- 1 pump without tank
- 1 pump with tank

### Hydronic accessories on request

- "Y" water strainer (sold separately), consists of body and stainless steel mesh, with replaceable filter through the inspection cap.
- Automatic water filling (sold separately).
- Flow switch (sold separately)
- Water antifreeze protection kit

Flow switches and water strainers are separate and mandatory accessories which must be installed by the contractor or building owner, close to the unit, in the inlet water pipe.

### Important for flow switches:

Install the flow switch upright, with a minimum of 5 pipe diameters of straight horizontal run on each side. Do not install close to elbows, orifices, or other valves.

### Important for water strainers:

Install the water strainer in the inlet water pipes. Failure to do so can result in heat exchanger tube damage.

**IMPORTANT:** Flow switch and water strainer are obligatory in order to keep the warranty

**VERY IMPORTANT:** When an antifreeze protection kit is ordered together with the unit and so factory mounted no flow control is installed on board the unit. If no antifreeze protection kit is ordered, a differential pressure switch is usually installed on the evaporator but that is not installed together with any of the water protection kits because if it was it could get burned. In this case a flow switch is always supplied as a loose accessory with the unit and must be installed by the customer on the plant.

**VERY IMPORTANT:** For on board the unit pumps it is recommended practice, especially on oversized pumps, to vent the on board the unit pump by unscrewing the relevant cap located on the pump casing in order to allow the perfect removal of the air from the pump body and so ensuring the maximum reliability and lubrication of the hydraulic organs. Please refer to the relevant pump manual provided as an addendum to this Manual. One manual is for DWC pump model and one for MATRIX pump model.

The correspondence *standard pump model – pump manual code* is reported in the below table:

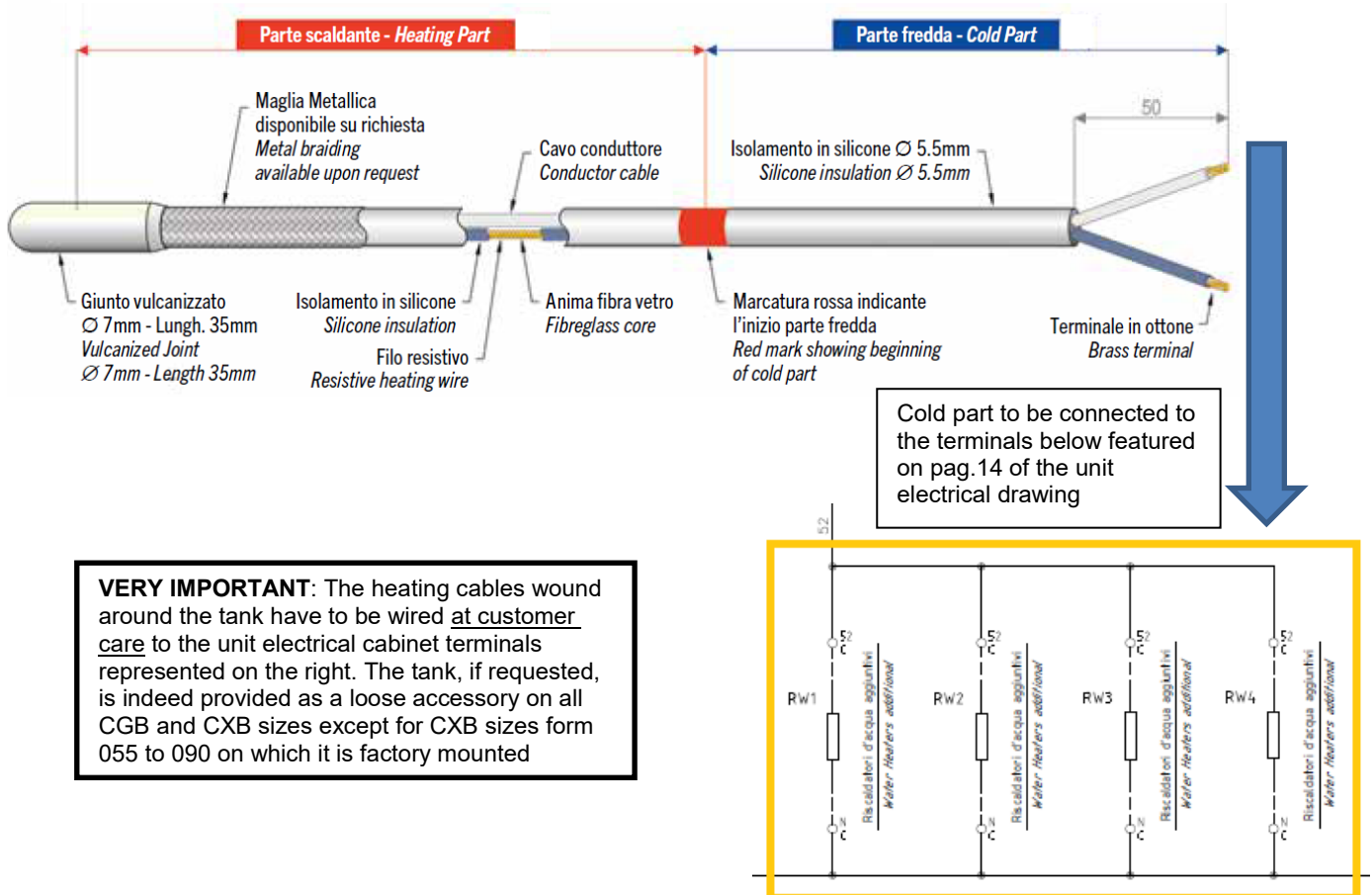
<b>CGB</b>	<b>STANDARD PUMP MODEL</b>	<b>MANUAL CODE</b>
<b>CGB 017</b>	Matrix 3-2T/0,45	<i>180312-163943-Man.Motor-DrivenSurfacePumpsMATRIX.pdf</i>
<b>CGB 020</b>	Matrix 3-2T/0,45	<i>180312-163943-Man.Motor-DrivenSurfacePumpsMATRIX.pdf</i>
<b>CGB 025</b>	Matrix 5-2T/0,45	<i>180312-163943-Man.Motor-DrivenSurfacePumpsMATRIX.pdf</i>
<b>CGB 028</b>	Matrix 5-2T/0,45	<i>180312-163943-Man.Motor-DrivenSurfacePumpsMATRIX.pdf</i>
<b>CGB 033</b>	Matrix 5-2T/0,45	<i>180312-163943-Man.Motor-DrivenSurfacePumpsMATRIX.pdf</i>
<b>CGB 036</b>	Matrix 5-2T/0,45	<i>180312-163943-Man.Motor-DrivenSurfacePumpsMATRIX.pdf</i>
<b>CGB 039</b>	Matrix 5-2T/0,45	<i>180312-163943-Man.Motor-DrivenSurfacePumpsMATRIX.pdf</i>
<b>CGB 045</b>	Matrix 10-2T/0.75	<i>180312-163943-Man.Motor-DrivenSurfacePumpsMATRIX.pdf</i>
<b>CGB 050</b>	Matrix 10-2T/0.75	<i>180312-163943-Man.Motor-DrivenSurfacePumpsMATRIX.pdf</i>

<b>CXB</b>	<b>STANDARD PUMP MODEL</b>	<b>MANUAL CODE</b>
<b>CXB 017</b>		
<b>CXB 020</b>	Matrix 3-2T/0,45	<i>180312-163943-Man.Motor-DrivenSurfacePumpsMATRIX.pdf</i>
<b>CXB 025</b>	Matrix 3-2T/0,45	<i>180312-163943-Man.Motor-DrivenSurfacePumpsMATRIX.pdf</i>
<b>CXB 028</b>	Matrix 5-2T/0,45	<i>180312-163943-Man.Motor-DrivenSurfacePumpsMATRIX.pdf</i>
<b>CXB 033</b>	Matrix 5-2T/0,45	<i>180312-163943-Man.Motor-DrivenSurfacePumpsMATRIX.pdf</i>
<b>CXB 036</b>	Matrix 5-2T/0,45	<i>180312-163943-Man.Motor-DrivenSurfacePumpsMATRIX.pdf</i>
<b>CXB 039</b>	Matrix 5-2T/0,45	<i>180312-163943-Man.Motor-DrivenSurfacePumpsMATRIX.pdf</i>
<b>CXB 045</b>	Matrix 5-2T/0,45	<i>180312-163943-Man.Motor-DrivenSurfacePumpsMATRIX.pdf</i>
<b>CXB 050</b>	Matrix 10-2T/0.75	<i>180312-163943-Man.Motor-DrivenSurfacePumpsMATRIX.pdf</i>
<b>CXB 055</b>	Matrix 10-2T/0.75	<i>180312-163943-Man.Motor-DrivenSurfacePumpsMATRIX.pdf</i>
<b>CXB 065</b>	DWC-V-300/1.1	<i>180312-163739-Man.Motor-DrivenSurfacePumpsDWC.pdf</i>
<b>CXB 080</b>	DWC-V-300/1.1	<i>180312-163739-Man.Motor-DrivenSurfacePumpsDWC.pdf</i>
<b>CXB 090</b>	DWC-V 300/1,5	<i>180312-163739-Man.Motor-DrivenSurfacePumpsDWC.pdf</i>

### 7.6.1 Water antifreeze protection kit

This kit, aimed at avoiding the freezing of all the components of the hydraulic circuit inside the unit (pumps, pipes and tank) is an optional one and is coupled to the unit hydraulic version. It follows that two versions are available:

The cable type used for the two kits is the same and is featured in the figure below:



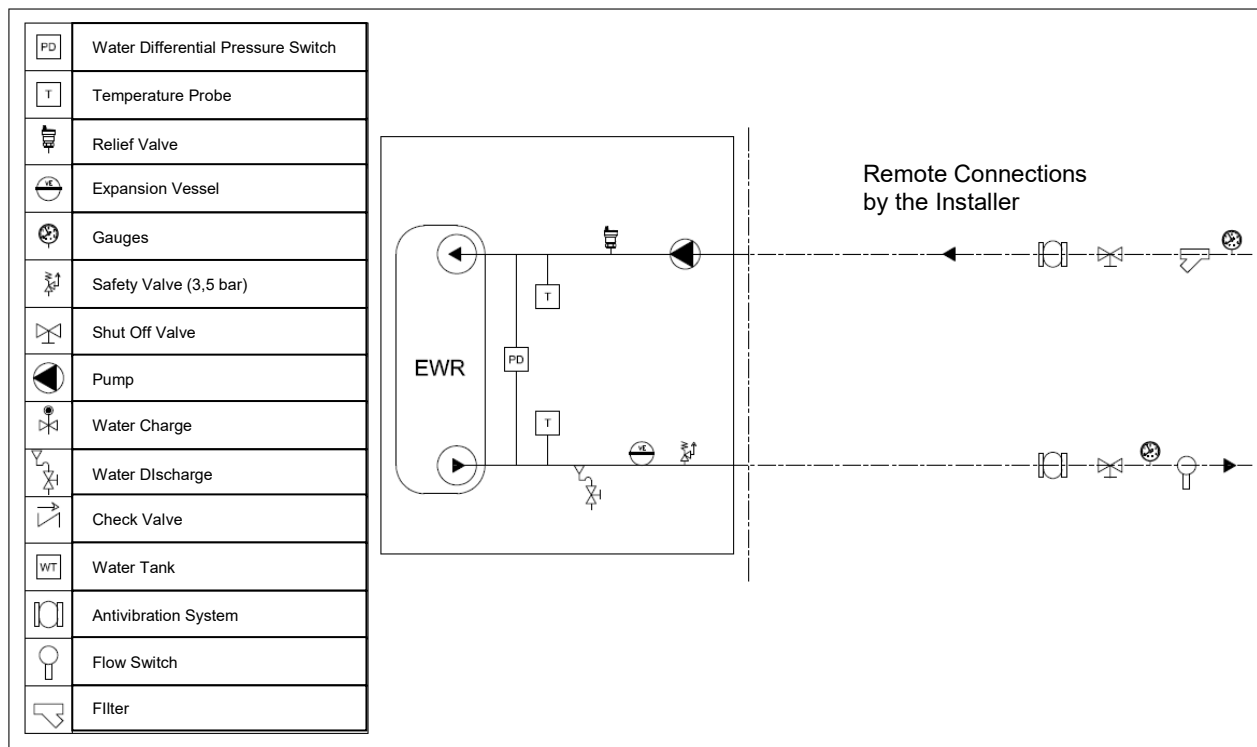
**VERY IMPORTANT:** The heating cables wound around the tank have to be wired at customer care to the unit electrical cabinet terminals represented on the right. The tank, if requested, is indeed provided as a loose accessory on all CGB and CXB sizes except for CXB sizes form 055 to 090 on which it is factory mounted

the following kit versions are available:

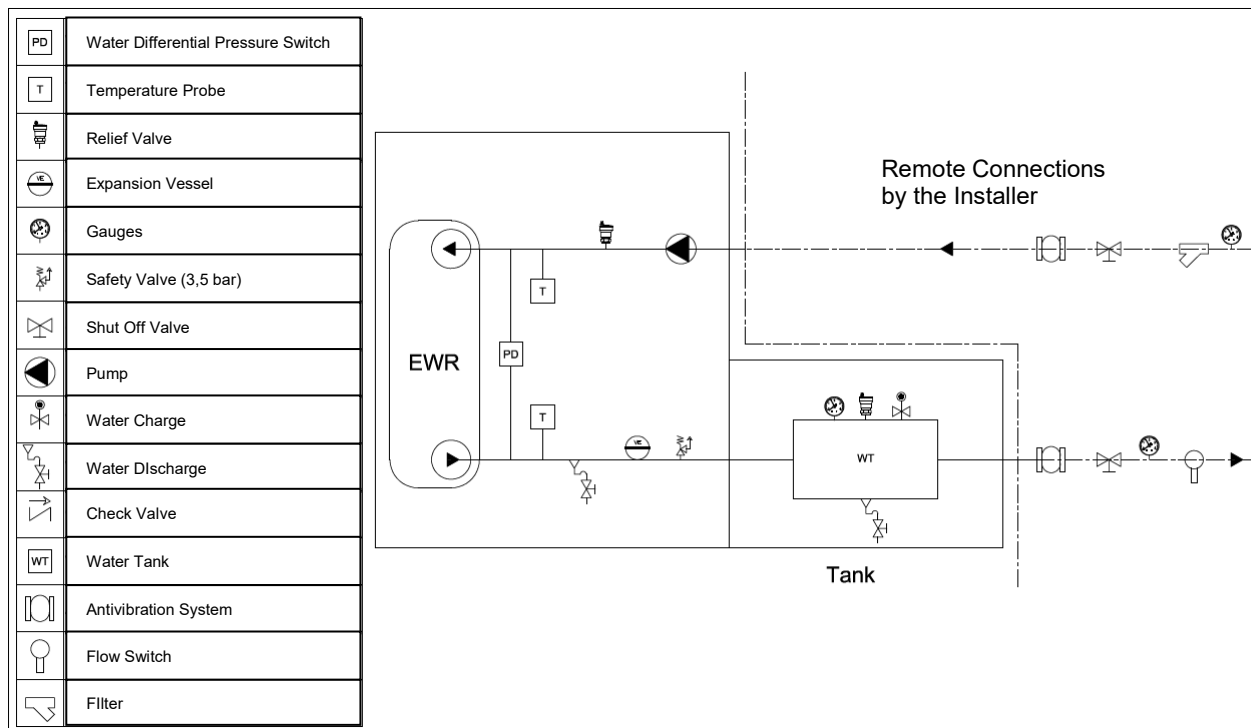
<b>CGB SIZE</b>	<b>PUMP HEATING ELEMENTS</b>	<b>TANK HEATING ELEMENTS</b>
<b>CGB 017</b>	1 heating cable + 1 heating cable on aluminum foil	2 heating cables
<b>CGB 020</b>	1 heating cable + 1 heating cable on aluminum foil	2 heating cables
<b>CGB 025</b>	1 heating cable + 1 heating cable on aluminum foil	2 heating cables
<b>CGB 028</b>	1 heating cable + 1 heating cable on aluminum foil	2 heating cables
<b>CGB 033</b>	1 heating cable + 1 heating cable on aluminum foil	2 heating cables
<b>CGB 036</b>	1 heating cable + 1 heating cable on aluminum foil	2 heating cables
<b>CGB 039</b>	1 heating cable + 1 heating cable on aluminum foil	2 heating cables
<b>CGB 045</b>	1 heating cable + 1 heating cable on aluminum foil	2 heating cables
<b>CGB 050</b>	1 heating cable + 1 heating cable on aluminum foil	2 heating cables

<b>CXB SIZE</b>	<b>PUMP HEATING ELEMENTS</b>	<b>TANK HEATING ELEMENTS</b>	<b>WATER INLET-OUTLET PIPES HEATING ELEMENTS (IF UNIT WITHOUT PUMP AND WITHOUT TANK)</b>
<b>CXB 017</b>	1 heating cable + 1 heating cable on aluminum foil	2 heating cables	/
<b>CXB 020</b>	1 heating cable + 1 heating cable on aluminum foil	2 heating cables	/
<b>CXB 025</b>	1 heating cable + 1 heating cable on aluminum foil	2 heating cables	/
<b>CXB 028</b>	1 heating cable + 1 heating cable on aluminum foil	2 heating cables	/
<b>CXB 033</b>	1 heating cable + 1 heating cable on aluminum foil	2 heating cables	/
<b>CXB 036</b>	1 heating cable + 1 heating cable on aluminum foil	2 heating cables	/
<b>CXB 039</b>	1 heating cable + 1 heating cable on aluminum foil	2 heating cables	/
<b>CXB 045</b>	1 heating cable + 1 heating cable on aluminum foil	2 heating cables	/
<b>CXB 050</b>	1 heating cable + 1 heating cable on aluminum foil	2 heating cables	/
<b>CXB 055</b>	2 heating cables + 1 heating cable on aluminum foil	2 heating cables + 1 heating cable on aluminum foil	2 heating cables on aluminum foil
<b>CXB 065</b>	2 heating cables + 1 heating cable on aluminum foil	2 heating cables + 1 heating cable on aluminum foil	2 heating cables on aluminum foil
<b>CXB 080</b>	2 heating cables + 1 heating cable on aluminum foil	2 heating cables + 1 heating cable on aluminum foil	2 heating cables on aluminum foil
<b>CXB 090</b>	2 heating cables + 1 heating cable on aluminum foil	2 heating cables + 1 heating cable on aluminum foil	2 heating cables on aluminum foil

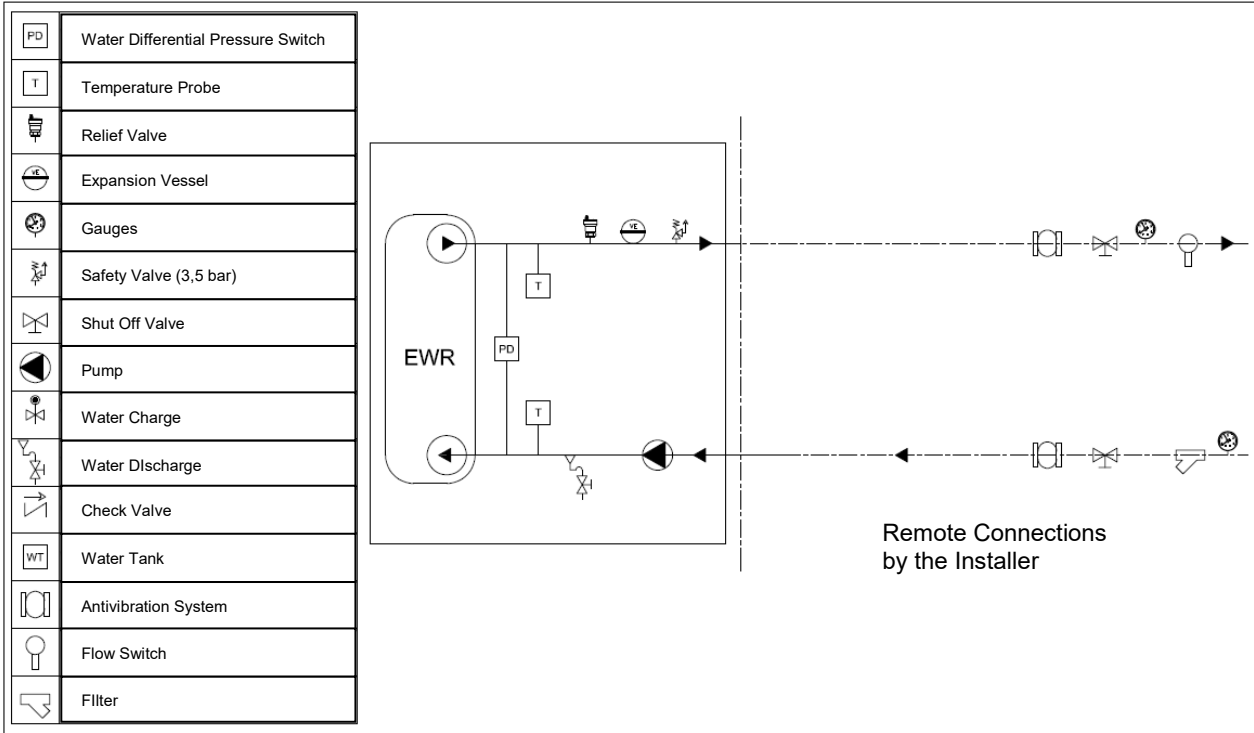
### 7.6.2 Hydraulic diagram for CGB units with 1 pump without tank



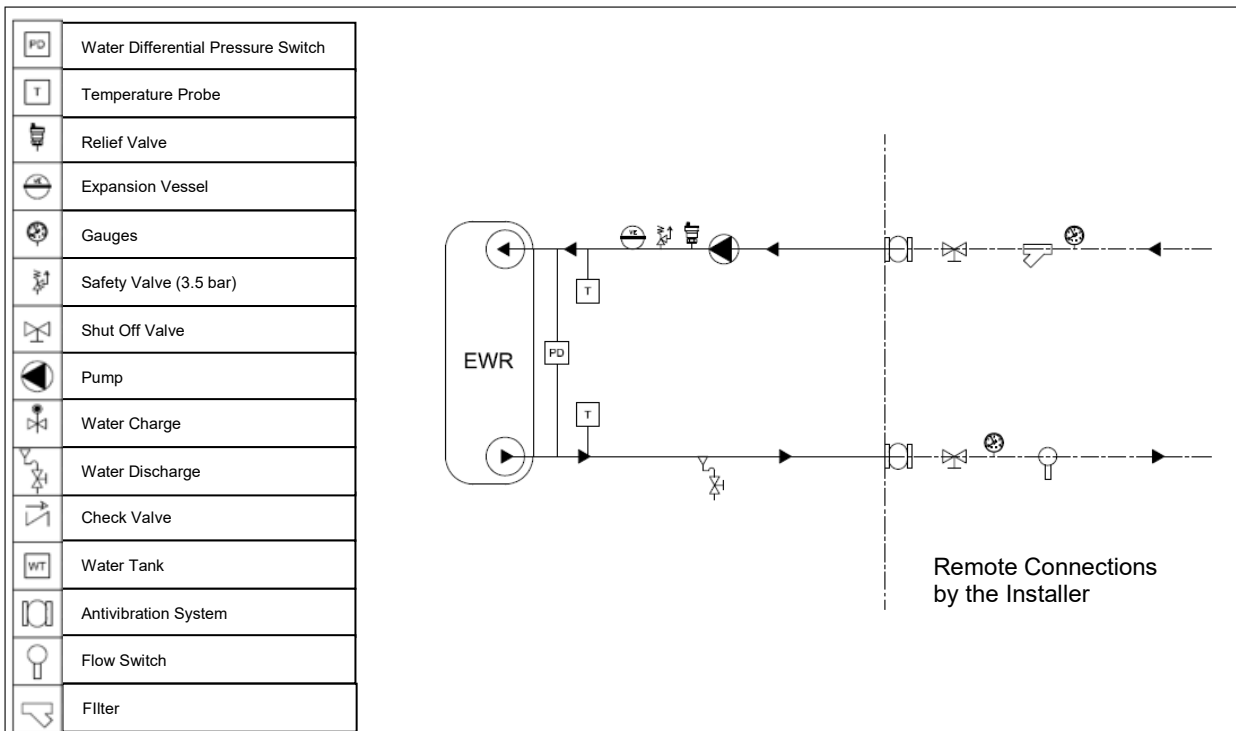
### 7.6.3 Hydraulic diagram for CGB units with 1 pump and tank



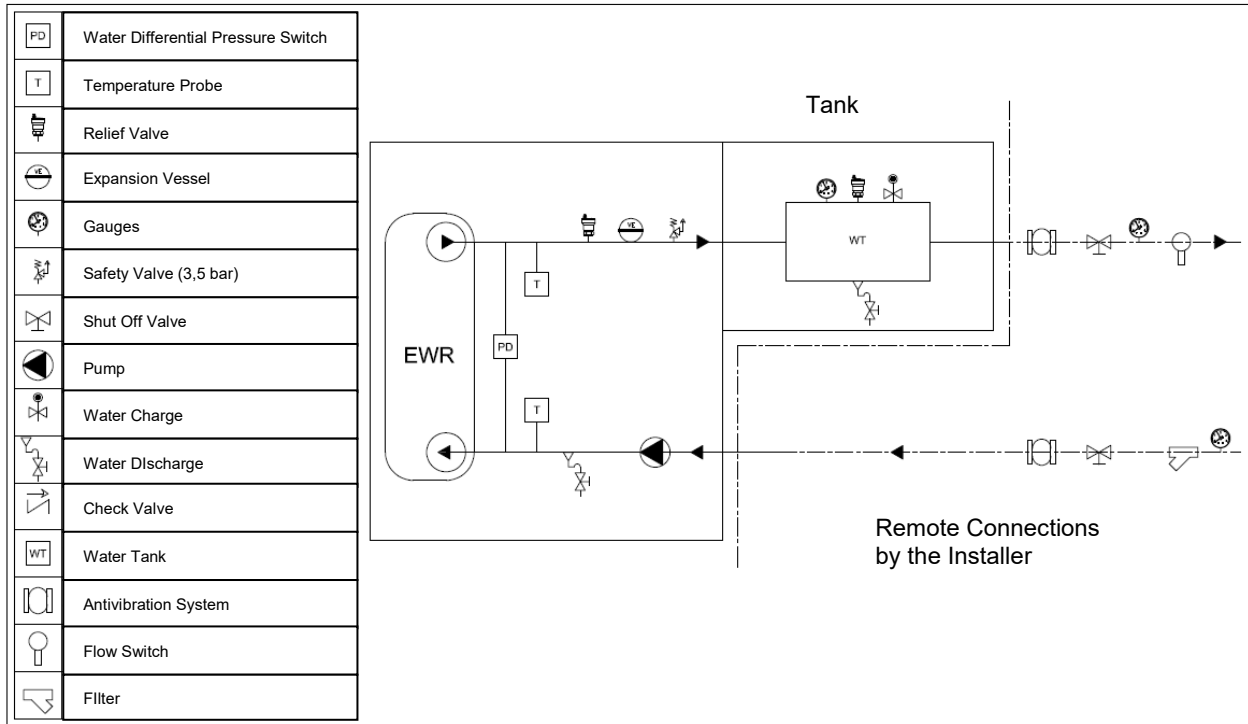
### 7.6.4 Hydraulic diagram for CXB units with 1 pump without tank for sizes up to 045



### 7.6.5 Hydraulic diagram for CXB units with 1 pump without tank for sizes from 050 to 090

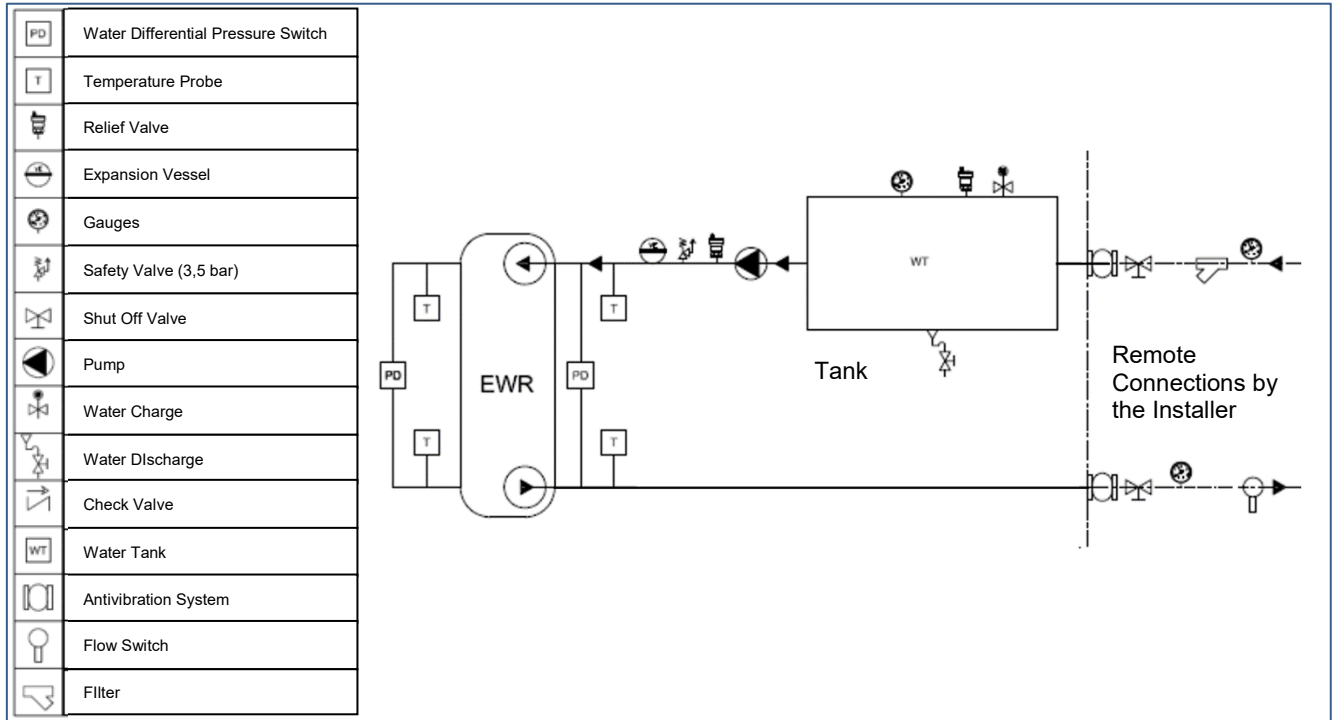


### 7.6.6 Hydraulic diagram for CXB units with 1 pump with tank up to size 045





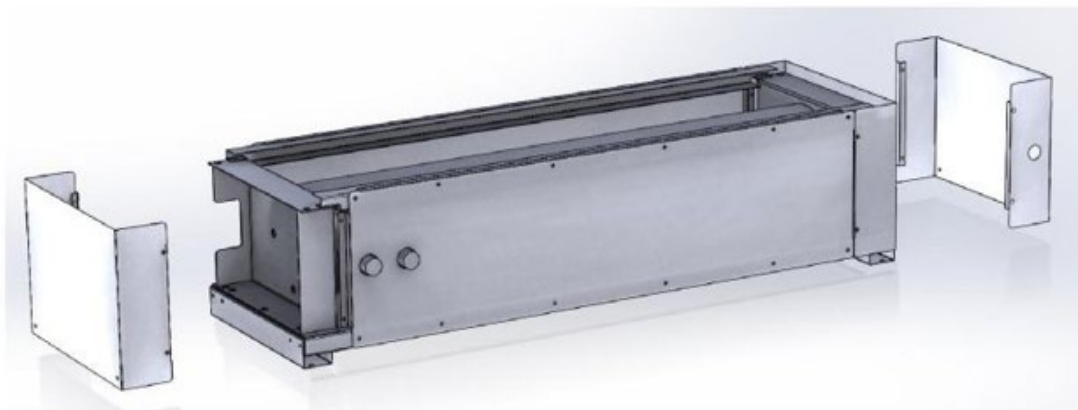
### 7.6.7 Hydraulic diagram for CXB units with 1 pump and tank up for sizes from 050 to 090



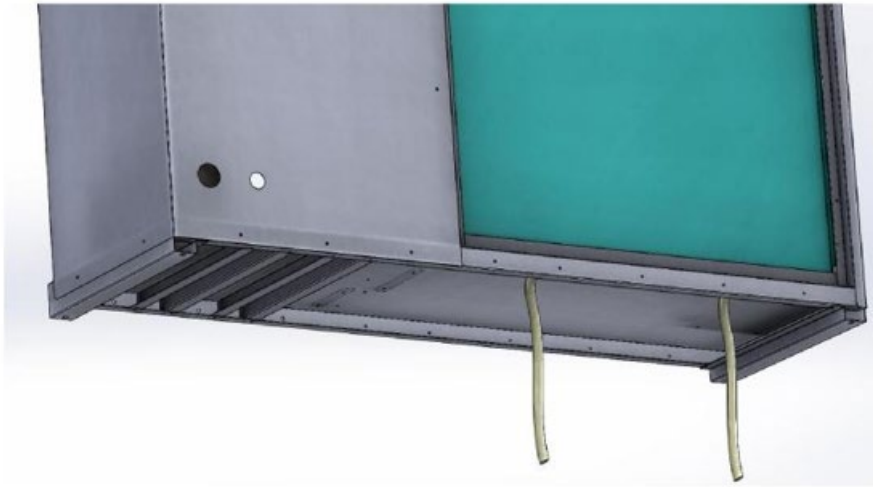
## 7.7 TANK MOUNTING INSTRUCTIONS

The water tank, if required, is supplied as a loose accessory and to be mounted by the customer/contractor based on the following instructions:

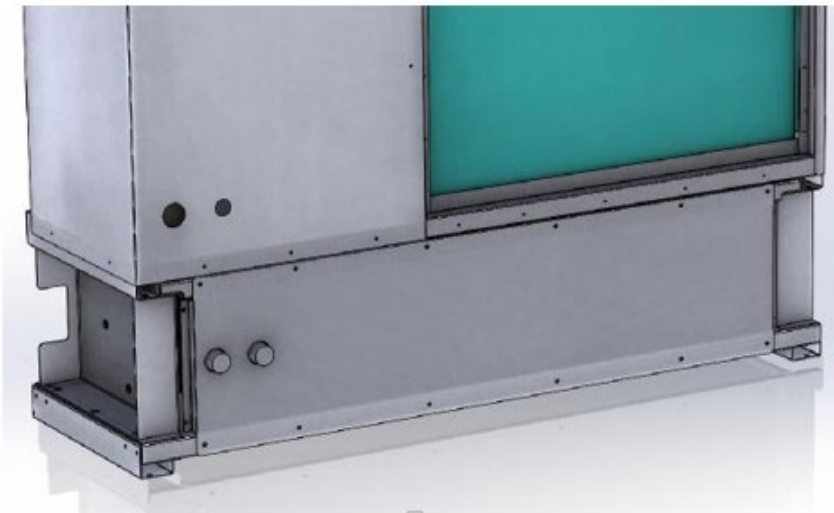
**A. Remove the two inspection panels of the water tank.**



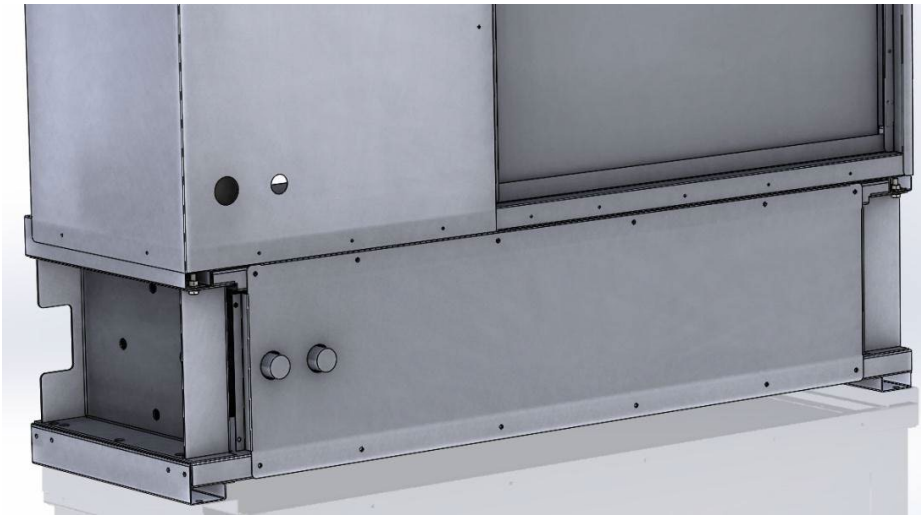
**B. With the unit in lifting phase, position the drain path pipes as shown in the figure below.**



**C. Position the unit in the group with water tank, lining up the holes of the upper bracket of the tank with the drilling of the underside of the foot, making sure to route the drain path pipes inside the holes on the base of the hydronic kit.**

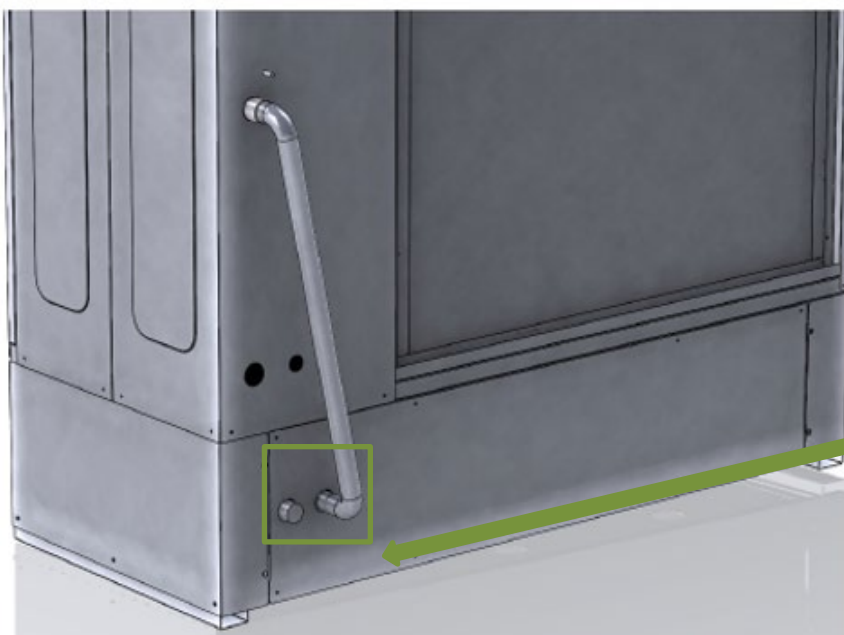


**D. Carry out by coupling bolts.**



**E. Mount the two inspections panel of the water tank.**

IMPORTANT: The pipe featured in the picture below refers just to a CGB. It connects the tank to the unit water outlet on all CGB sizes and on CXB sizes up to 050. Consider that on CXB sizes up to 050 the water outlet is the water attack in the upper part of the unit frame and the connection pipe is therefore longer than the one provided with CGB. For CXB from size 055 to 090 pipe and the tank are both factory mounted.



The two tank attacks are bivalent that is each of the two can be either water inlet or water outlet.

## 7.8 CUSTOMER PLANT SKETCHES

### 7.8.1 Customer plant sketch with primary pump for CGB and CXB (sizes from 055 to 090)

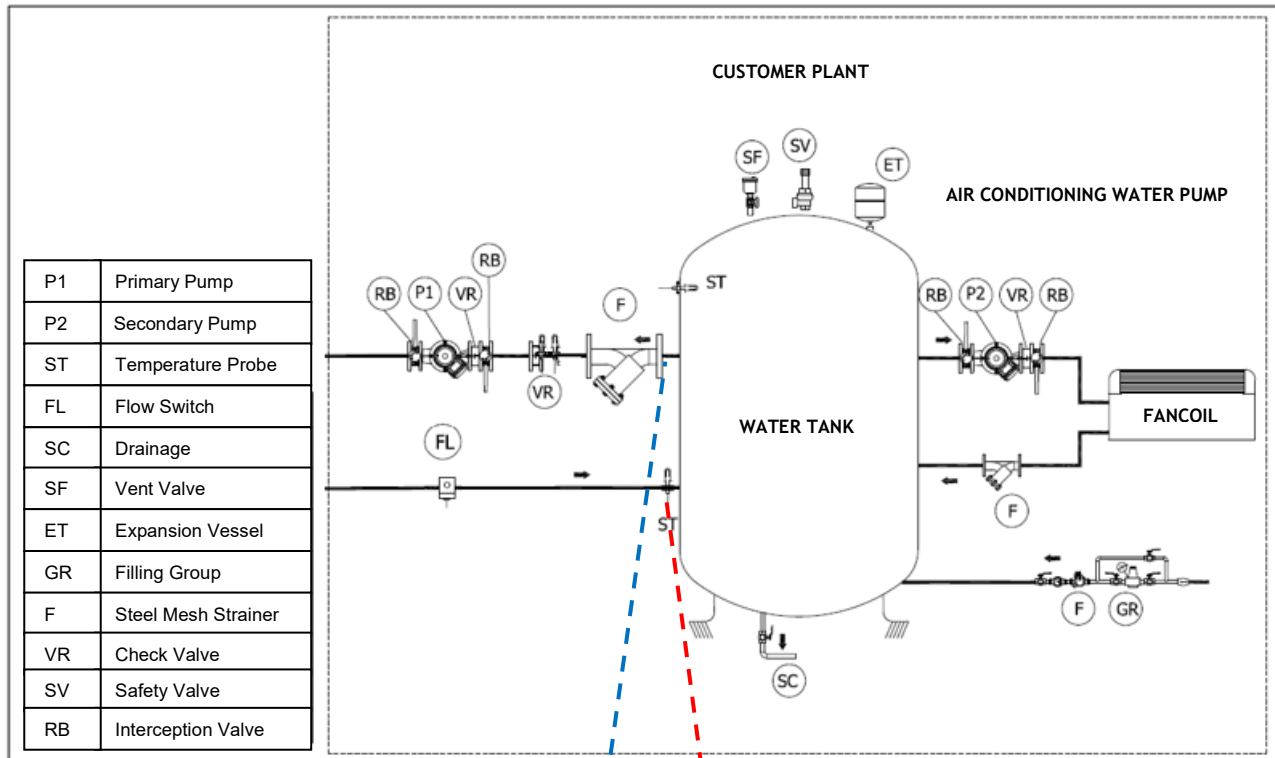
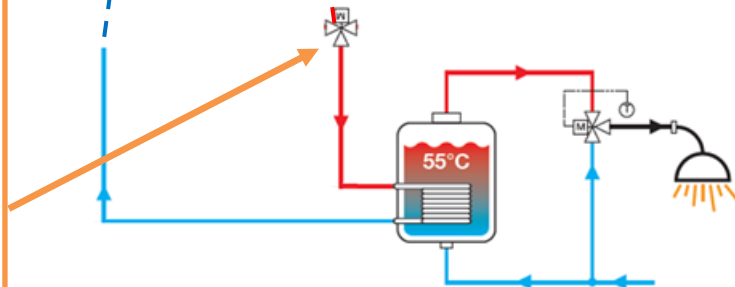


Figure 1

**IMPORTANT:** the flow switch and the steel mesh strainer in the customer plant are obligatory in order to keep the warranty

Three way diverter valve to be installed on the plant by the customer before the heating user. When the option "3 way valve for hot sanitary water" is requested the unit's electrical cabinet is factory configured to power supply and command the three way valve by means of a temperature probe supplied inside the electrical cabinet and already connected to the unit's controller. The temperature probe has to be installed into the hot sanitary water tank by the customer. Two different set points can be set, one for the heating function and the other for the hot sanitary water function.



7.8.2 Customer plant sketch without primary pump for CGB and CXB sizes from 055 to 090

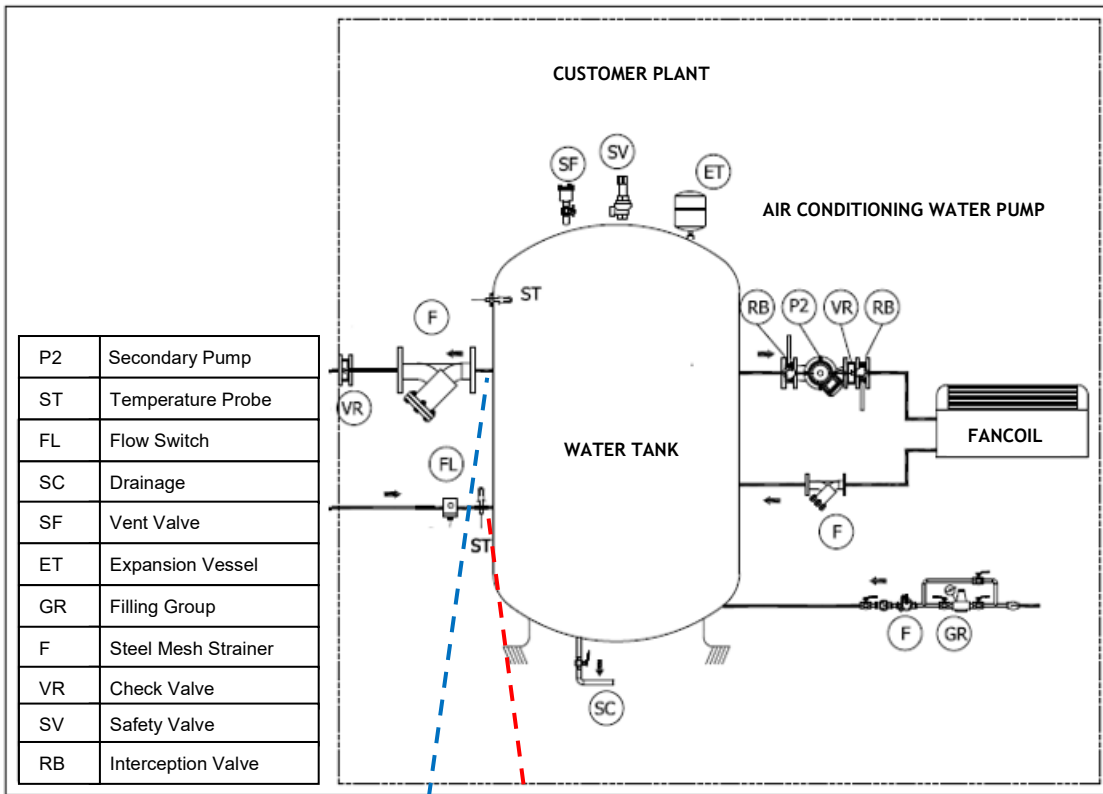
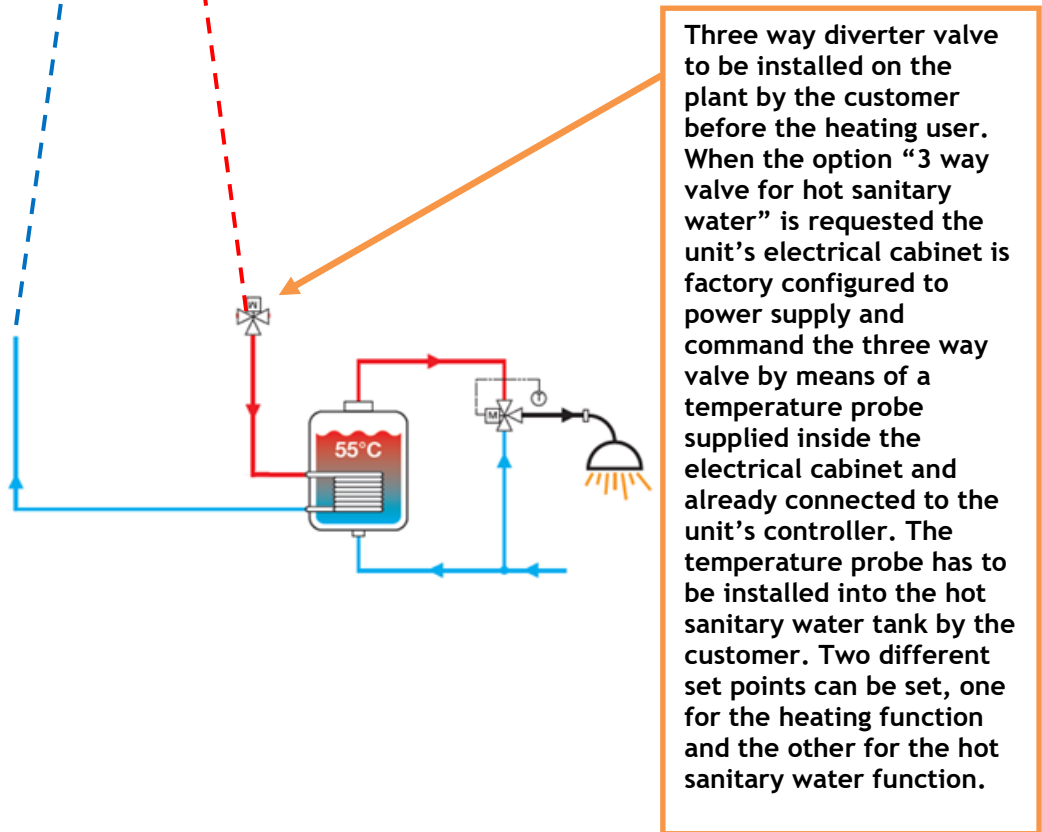


Figure 2

**IMPORTANT:** the flow switch and the steel mesh strainer in the customer plant are obligatory in order to keep the warranty



Three way diverter valve to be installed on the plant by the customer before the heating user. When the option "3 way valve for hot sanitary water" is requested the unit's electrical cabinet is factory configured to power supply and command the three way valve by means of a temperature probe supplied inside the electrical cabinet and already connected to the unit's controller. The temperature probe has to be installed into the hot sanitary water tank by the customer. Two different set points can be set, one for the heating function and the other for the hot sanitary water function.

### 7.8.3 Customer plant sketch with primary pump for CXB up to 050 size

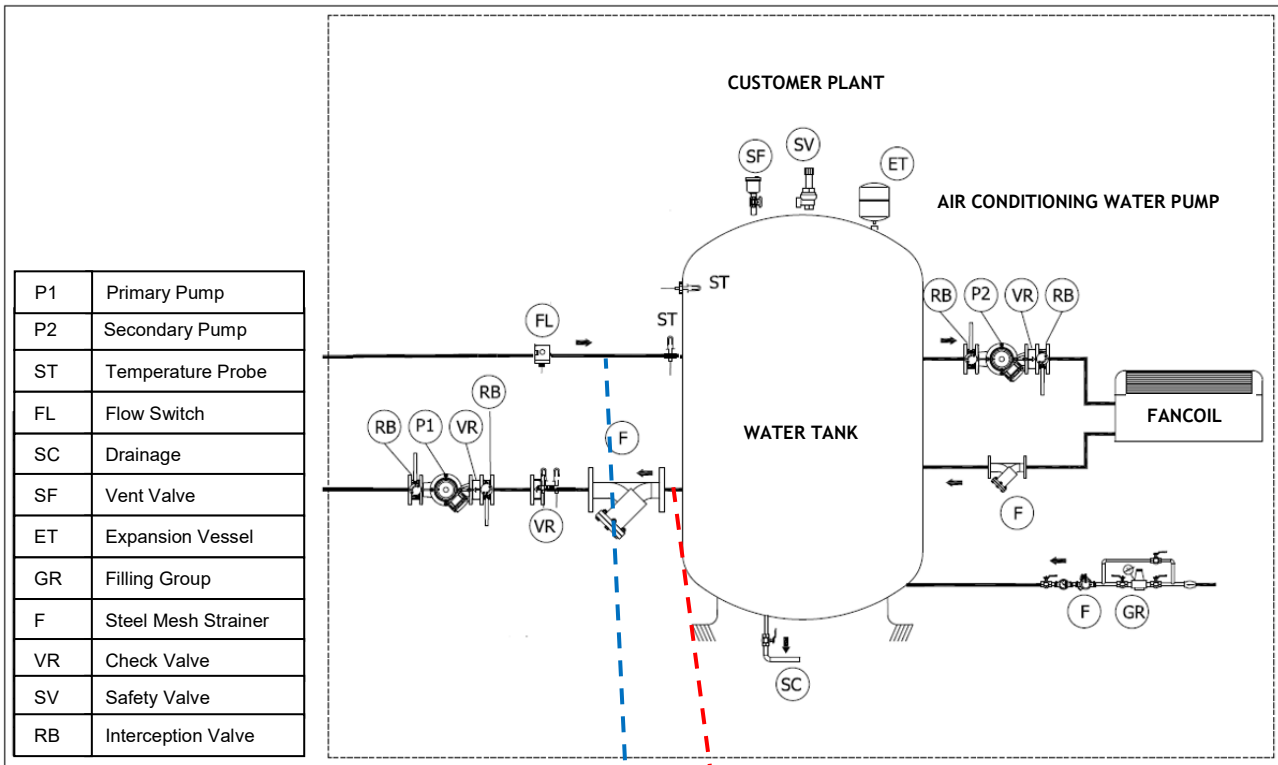
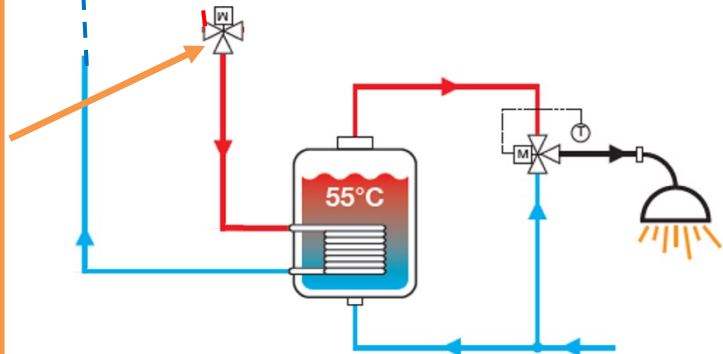


Figure 3

**IMPORTANT:** the flow switch and the steel mesh strainer in the customer plant are obligatory in order to keep the warranty

Three way diverter valve to be installed on the plant by the customer before the heating user. When the option "3 way valve for hot sanitary water" is requested the unit's electrical cabinet is factory configured to power supply and command the three way valve by means of a temperature probe supplied inside the electrical cabinet and already connected to the unit's controller. The temperature probe has to be installed into the hot sanitary water tank by the customer. Two different set points can be set, one for the heating function and the other for the hot sanitary water function.



7.8.4 Customer plant sketch without primary pump for CXB (pump on board the unit) up to 050 size

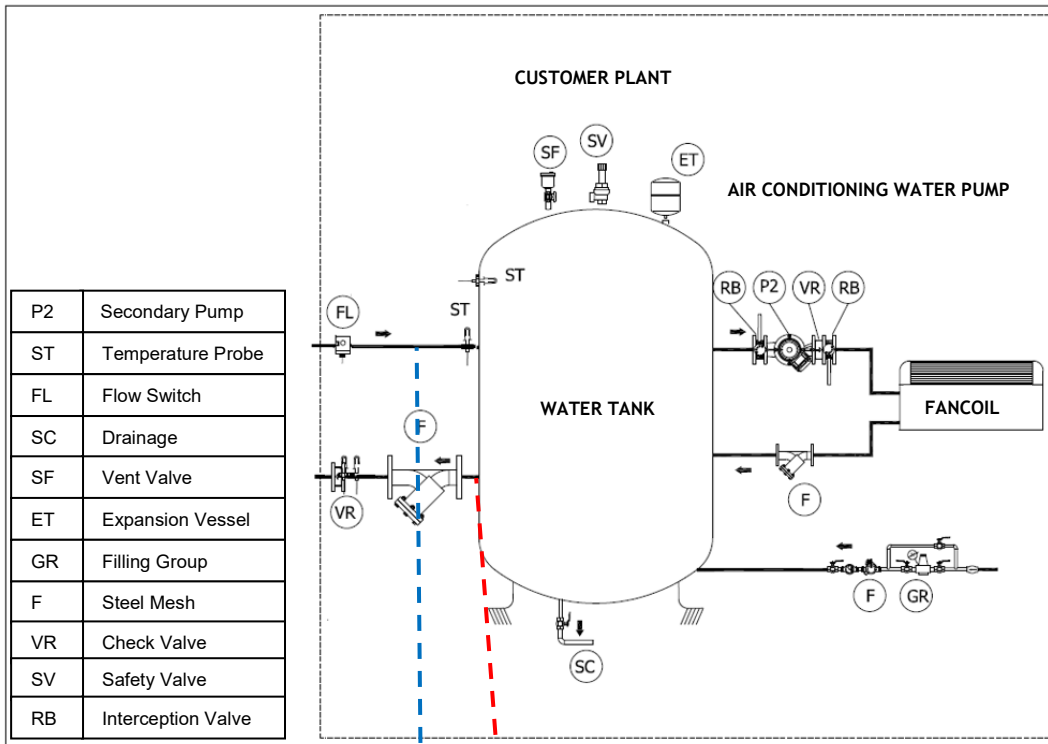
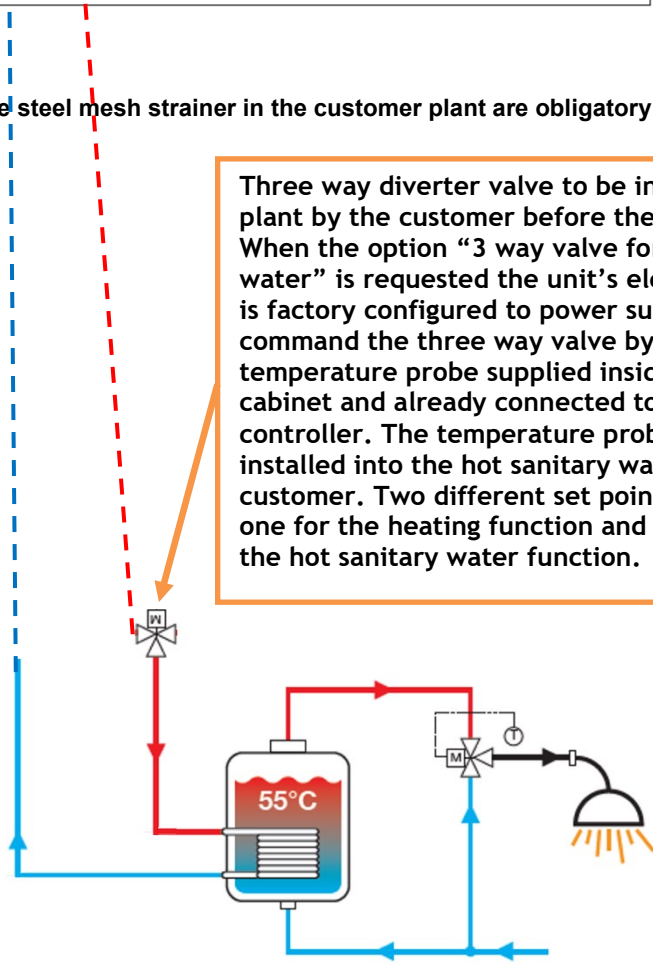


Figure 4

**IMPORTANT:** the flow switch and the steel mesh strainer in the customer plant are obligatory in order to keep the warranty

Three way diverter valve to be installed on the plant by the customer before the heating user. When the option "3 way valve for hot sanitary water" is requested the unit's electrical cabinet is factory configured to power supply and command the three way valve by means of a temperature probe supplied inside the electrical cabinet and already connected to the unit's controller. The temperature probe has to be installed into the hot sanitary water tank by the customer. Two different set points can be set, one for the heating function and the other for the hot sanitary water function.



### 7.8.5 Flow switch installation

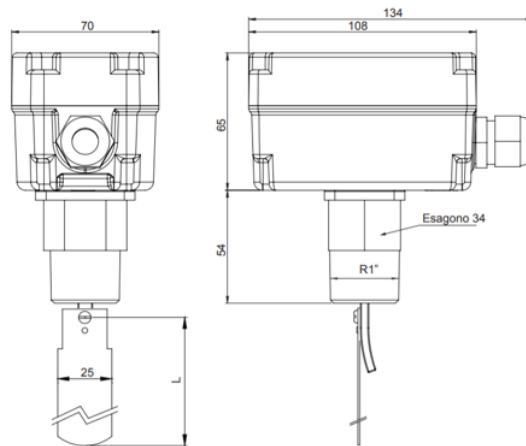
To ensure adequate water flow through the evaporator, it is essential to install a flow switch on the water circuit. The flow switch must be installed according to the relevant hydraulic diagram among those reported in the par 7.6 HYDRAULIC VERSIONS.

The purpose of the flow switch is to stop the unit in case of an interruption of the water flow while protecting the evaporator from freezing.

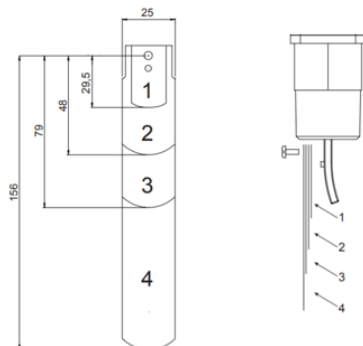
The flow switch installation can be horizontal and vertical, screw-in thread, RP 1" (ISO7/1). It should be installed far from elbows or throttling with an arrow on flow direction. If pipe is vertical recalibrate range to balance paddle weight. If the device is downwards mounted take care to slags, and apply it in a straight pipe far from filters, valves, etc **with length at least 5 times the diameter of pipe upstream and downstream the unit. The paddles must be installed starting from the shortest.**

Blade type flow switches are available as loose accessories and are suitable for harsh environments and for pipes with diameters from 1" to 8". The flow switch has a contact which must be wired, by the contractor, on the jobsite. Check the unit wiring diagram for more information. See the instruction sheet inside the flow switch box for information about positioning and.

Dimensions (mm)



Paddle

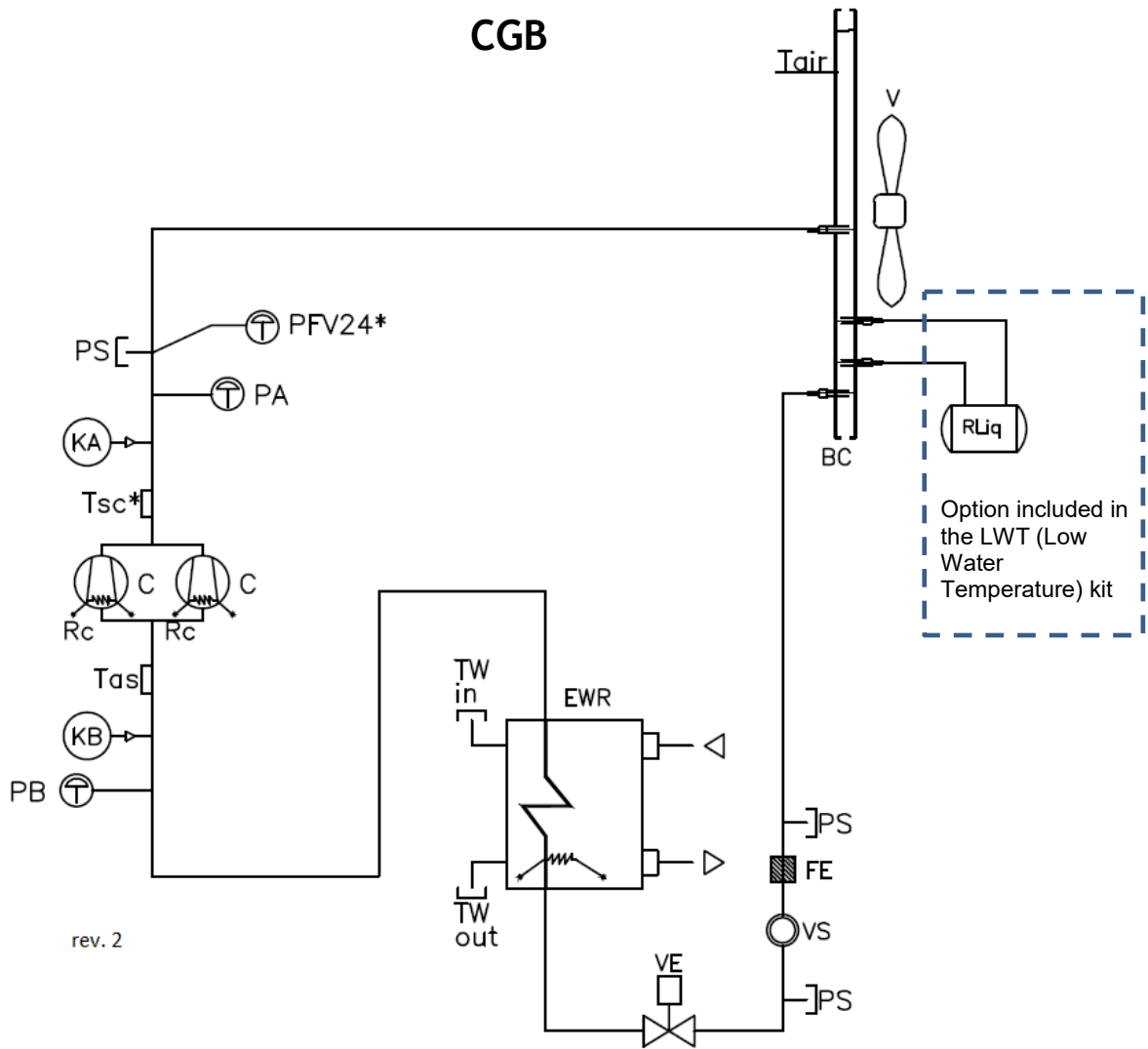


PIPES	TABLES
1"	1
1 1/4"	1
1 1/2"	1, 2
2"	1, 2
2 1/2"	1, 2, 3
3"	1, 2, 3
4"	1, 2, 3
5"	1, 2, 3
6"	1, 2, 3, 4
	1, 2, 3
8"	1, 2, 3, 4
	1, 2, 3



# 8 REFRIGERANT SCHEMES

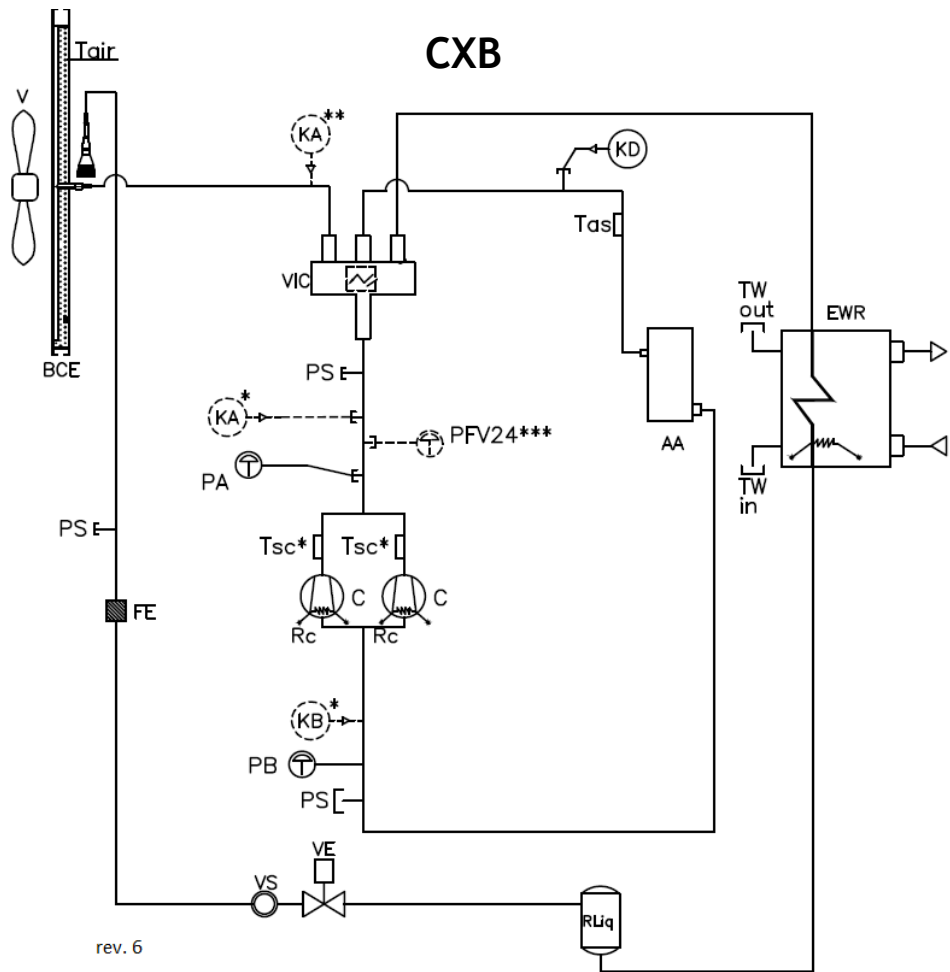
## CGB



rev. 2

INDEX	
PFV24	PRESSURE SWITCH FOR THE ACTIVATION / DEACTIVATION OF ONE FAN
C	COMPRESSOR
BC	CONDENSER COIL
PA	HIGH PRESSURE SWITCH
PB	LOW PRESSURE SWITCH
RC	COMPRESSOR CARTER HEATER
PS	SERVICE VALVE
V	FAN
VS	SIGHT GLASS
Tsc	DISCHARGE TEMPERATURE PROBE
Tas	SUCTION TEMPERATURE PROBE
<b>*STANDARD FOR SIZES 025, 028, 033, 036, 045, 050</b>	

INDEX	
VE	ELECTRONIC EXPANSION VALVE
EWR	EVAPORATOR/CONDENSER
Rliq	LIQUID RECEIVER
FE	FILTER DRIER
KD	ELECTRONIC EXPANSION VALVE PRESSURE TRANSDUCER
KA	HP TRANSDUCER
KB	LP TRANSDUCER
TW in	INLET WATER TEMPERATURE PROBE
TW out	OUTLET WATER TEMPERATURE PROBE
Tair	EXTERNAL AIR TEMPERATURE PROBE



INDEX	
C	COMPRESSOR
BCE	CONDENSER COIL
PA	HIGH PRESSURE SWITCH
PB	LOW PRESSURE SWITCH
RC	COMPRESSOR CARTER HEATER
AA	ACCUMULATOR
PS	SERVICE VALVE
V	FAN
VS	SIGHT GLASS
Tsc	DISCHARGE TEMPERATURE PROBE
Tas	SUCTION TEMPERATURE PROBE
VIC	CYCLE REVERSING VALVE
<b>*ONLY WITH HEATPUMP -15°C OPTIONAL KIT (WITH IPRO CONTROLLER)</b>	
<b>** ONLY IN STANDARD CONFIGURATION</b>	
<b>*** STANDARD FOR SIZES FROM 025 TO 050. FOR SIZES 080 AND 090 ONLY WITH CHILLER -10°C KIT</b>	

INDEX	
PFV24	PRESSURE SWITCH FOR THE ACTIVATION / DEACTIVATION OF ONE FAN
VE	ELECTRONIC EXPANSION VALVE
EVR	EVAPORATOR/CONDENSER
Rliq	LIQUID RECEIVER
FE	FILTER DRIER
KD	ELECTRONIC EXPANSION VALVE PRESSURE TRANSDUCER
KA	HP TRANSDUCER
KB	LP TRANSDUCER
TW in	INLET WATER TEMPERATURE PROBE
TW out	OUTLET WATER TEMPERATURE PROBE
Tair	EXTERNAL AIR TEMPERATURE PROBE

## 9 ELECTRICAL PANEL AND ELECTRICAL DATA

### General

- All field-installed wiring must be in accordance with local regulations, CE directives and guidelines. Be sure to satisfy proper equipment grounding requirements according CE
- The standardized values - Maximum Amps –Maximum kilo Watts are displayed on unit nameplate.
- All field-installed wiring must be checked for proper terminations, and for possible shorts or grounds.

Ensure total protection against the possible penetration of water into the connection point.

All the cables and the terminals are univocally numbered according to the electrical scheme in order to avoid possible misinterpretation. The identification system of the cables connected to the components allow also an easy and intuitive recognition of the component. Each component of the electrical panel is provided with an identification plate according to what is shown on the electrical scheme. All the connections to the electrical panel are made from the bottom and are equipped with cover preventing from break. The electrical panel supply is 400V/3ph+n/50Hz suitable for TN-S system and no additional power supply is necessary. If the unit is powered by a TN-C, TT or IT power supply system the option "power supply without neutral 400V/3ph/50Hz" must have been ordered and implemented in the unit's electrical cabinet. The entrance for the power cables is provided on the bottom of the box where a dismountable flange suitable for the purpose is provided.

The control circuit is powered with 24 VAC. Each unit is provided with auxiliary transformer control circuit 230/24V. It requires no additional power cable for the control equipment.

The unit has an antifreeze heater installed directly into the evaporator. The circuit also has an electric resistance installed in the compressor in order to keep warm the oil and thus avoid the transmigration of the refrigerant in its interior. Obviously the operation of the electrical resistors is ensured as long as the unit is power supplied.

The unit is equipped with an alarm relay, which changes state every time an alarm occurs in one of the cooling circuits. Connect the terminals as per the wiring diagram on the unit - terminal "X" - a visual or audible alarm or any external supervision system.

BMS to monitor its operation is allowed. See the wiring diagram of the unit for wiring.

**WARNING** Hazardous Voltage with Capacitor! Disconnect all electric power, including remote disconnects and discharge all motor start/run and capacitors before servicing. Follow proper lockout/tag out procedures to ensure the power cannot be inadvertently energized.

For variable frequency drives or other energy storing components provided by Trane or others, refer to the appropriate manufacturer's literature for allowable waiting periods for discharges capacitors. Verify with an appropriate voltmeter that all capacitors have discharged.

After disconnecting input power, wait five (5) minutes for units which are equipped with EC fans and wait twenty (20) minutes for units which are equipped with variable frequency drive (0V DC) before touching any internal components. Failure to follow these instructions could result death or serious injury.

**IMPORTANT** if the unit is powered by a TT power supply system a differential protection should be suited for industrial machinery with current leak than can be higher than 500 mA (several motors and frequency drives)

## ELECTRICAL DATA

NOMINAL VALUES								MAXIMUM VALUES (at envelope limit with a simultaneous 10% drop of the unit power supply voltage)				
External air temperature 35°C, evaporator water temperature in/out 12/7°C												
Model	Compressors			TOTAL				TOTAL				
	F.L.I.	F.L.A.	L.R.A.	F.L.I.	F.L.A.	S.A.	S.A. with softstarter	F.L.I.	F.L.A.	S.A.	L.R.A. with softstarter	S.A. with softstarter
	kW	A	A	kW	A	A	A	kW	A	A	A	A
<b>CGB 017</b>	5,3	9,2	46,0	5,5	9,8	51,2	28,2	8,2	14,6	53,6	23,0	30,6
<b>CGB 020</b>	6,4	11,1	43,0	6,6	11,7	49,1	27,6	9,4	16,6	51,6	21,5	30,1
<b>CGB 025</b>	7,2	12,7	51,5	7,7	13,8	58,9	33,2	12,2	21,7	62,9	25,8	37,2
<b>CGB 028</b>	10,6	18,5	67,1	11,1	19,6	77,5	43,9	13,2	23,3	79,3	33,6	45,8
<b>CGB 033</b>	12,1	21,1	75,0	12,7	23,3	87,7	50,2	17,7	32,1	92,1	37,5	54,6
<b>CGB 036</b>	13,3	23,2	101,0	14,0	26,4	115,8	65,3	17,9	33,1	119,1	50,5	68,6
<b>CGB 039</b>	13,3	23,3	102,0	14,0	26,5	116,8	65,8	19,2	35,5	121,3	51,0	70,3
<b>CGB 045</b>	14,7	25,7	142,0	15,4	28,8	158,0	87,0	27,6	50,1	167,1	71,0	96,1
<b>CGB 050</b>	17,5	30,6	147,0	18,2	33,7	165,4	91,9	30,4	55,1	172,1	73,5	98,6

Electrical data referred to 400V - 3Phases+N - 50Hz

Maximum operating admitted conditions: 10%

Maximum phase unbalance: 2%

**F.L.I.** = Full load electrical power

**F.L.A.** = Full load operating current

**S.A.** = Sum of compressor motor locked rotor current (L.R.A) of most powerful compressor plus F.L.A of other compressor(s) plus total current of the fans

NOMINAL VALUES								MAXIMUM VALUES (at envelope limit with a simultaneous 10% drop of the unit power supply voltage)				
External air temperature 35°C, evaporator water temperature in/out 12/7°C												
Model	Compressors			TOTAL				TOTAL				
	F.L.I.	F.L.A.	L.R.A.	F.L.I.	F.L.A.	S.A.	S.A. with softstarter	F.L.I.	F.L.A.	S.A.	L.R.A. with softstarter	S.A. with softstarter
	kW	A	A	kW	A	A	A	kW	A	A	A	A
<b>CXB 017</b>	5,6	9,7	46,0	5,8	10,3	51,4	28,4	8,2	14,6	53,6	23,0	30,6
<b>CXB 020</b>	6,7	11,7	43,0	6,9	12,2	49,4	27,9	9,4	16,6	51,6	21,5	30,1
<b>CXB 025</b>	7,9	13,9	51,5	8,4	15,0	59,5	33,8	12,2	21,7	62,9	25,8	37,2
<b>CXB 028</b>	9,4	16,5	67,1	9,9	17,6	76,5	42,9	13,2	23,3	79,3	33,6	45,8
<b>CXB 033</b>	11,4	20,0	75,0	11,9	21,1	86,1	48,6	17,6	31,1	91,1	37,5	53,6
<b>CXB 036</b>	13,5	23,7	101,0	14,0	24,8	113,9	63,4	17,6	31,1	117,1	50,5	66,6
<b>CXB 039</b>	15,0	26,3	102,0	15,5	27,4	116,3	65,3	19,0	33,5	119,3	51,0	68,3
<b>CXB 045</b>	15,8	27,7	142,0	16,6	30,9	159,0	88,0	27,6	50,1	167,1	71,0	96,1
<b>CXB 050</b>	18,9	33,1	147,0	19,7	36,3	166,7	93,2	30,4	55,1	172,1	73,5	98,6
<b>CXB 055</b>	15,9	27,8	147,0	17,8	31,6	164,7	91,2	31,6	55,8	172,8	73,5	99,3
<b>CXB 065</b>	19,9	34,8	158,0	21,8	38,6	179,2	100,2	38,5	67,8	190,8	79,0	111,8
<b>CXB 080</b>	21,2	37,2	158,0	25,0	44,8	184,2	105,2	43,8	77,6	200,6	79,0	121,6
<b>CXB 090</b>	24,7	43,2	197,0	28,5	50,8	226,2	127,7	47,9	84,8	243,2	98,5	144,7

Electrical data referred to 400V - 3Phases+N - 50Hz

Maximum operating admitted conditions: 10%

Maximum phase unbalance: 2%

**F.L.I.** = Full load electrical power

**F.L.A.** = Full load operating current

**S.A.** = Sum of compressor motor locked rotor current (L.R.A) of most powerful compressor plus F.L.A of other compressor(s) plus total current of the fans

## **10 OPERATOR RESPONSIBILITIES**

It is important that the operator is properly trained and familiar with the equipment before working on the unit. In addition to reading this manual, the operator must study the manual operation of the microprocessor and the wiring diagram to understand the sequence of start-up, operation, shutdown sequences, and the criterion of operation of all safety devices. During the initial start-up of the unit an authorized technician is available to answer any questions and educate on the proper functioning. We recommend the operator to maintain a record of the operating data for each unit installed and all maintenance activities and periodic service. If the operator observes abnormal or unusual operating conditions, consult the authorized service technician.

## **11 START-UP PRELIMINARY PROCEDURES**

### **11.1 STARTING CHECK**

Before starting the unit, even only momentarily, all the machinery supplied by the chilled water, like the air handling units, pumps, etc. have to be checked. The pump auxiliary contacts and the flow switch have to be connected to the control panel as indicated in the electrical diagram. Before carrying out interventions on the valve regulations, loosen the relevant valve gland. Open the discharge valve of the compressor. Open the liquid shutoff valve placed on the liquid line. Measure the suction pressure. If it is lower than 0.42 MPa jumper and strain the solenoid valve on the liquid line. Bring the suction pressure to 0.45 MPa, then remove the jumper. Charge all the water circuit progressively. Starts up the water pump of the evaporator with the calibration valve shut and then slowly open it.

Discharge the air from the high points of the water circuit and check the direction of the water flow. Carry out calibration of the flow by using a measurer (if present or available) or by means of a combination of the readings of the manometers and the thermometers. In the starting phase calibrate the valve on the pressure difference read on the manometers, carry out drainage of the tubes and then carry out fine calibration on the temperature difference between the water in and the water out. The regulation is calibrated in the factory for water in to the evaporator at 12°C and water out at 7°C. With the general switch open, check that the electrical connections are tightly clamped. Check for any possible refrigerant leaks. Check that the electrical data on the label correspond to those of the mains supply. Check that the thermal charge available is appropriate for starting.

### **11.2 REFRIGERANT SEALS CONTROL**

Trane units are sent with the complete charge of refrigerant and are at a sufficient pressure to check the seal after installing. If the system were not under pressure, blow refrigerants (vapour) into it until pressure is reached and look for leakage.

After having eliminated the leakage, the system has to be dehydrated with a vacuum pump up to at least 1mm Hg - absolute pressure (1 Torr o 133.3 Pa). This is the minimum recommended value to dehydrate the plant.

**Danger** Do not use the compressor to vacuum the system.

### **11.3 REFRIGERANT CHARGE CHECK**

Trane units are supplied with a complete charge of refrigerant. If bubbles can be seen through the peephole with the compressor running with a full charge and steadily, the refrigerant charge is insufficient.

# 12 CHECK LIST - MANDATORY OPERATION CONTROL BEFORE START-UP

<b>DATE</b>		<b>N.</b>	
<b>UNIT</b>			

<b>CUSTOMER:</b>	SITE:
	ADDRESS: POSTCODE: COUNTRY:

## GENERAL

		COMPLIANCE	
		YES	NO
1	<p>THE HYDRAULIC CIRCUIT IS COMPLETE AND READY TO BE USED AND THE THERMAL LOAD IS AVAILABLE.</p> <p>PLEASE NOTE THAT <b>THE FIRST START-UP SHALL NOT BE CARRIED OUT UNLESS THE PLANT IS READY AND THE WATER LOAD IS AVAILABLE.</b></p>		
2	<p>THE UNIT DISPLAYS DENTS OR DAMAGES ON THE EXTERNAL CASING OCCURRED DURING THE TRANSPORTATION OR POSITIONING.</p> <p>IF ANY, SPECIFY BELOW:</p> <p><b>WARNING:</b> PLEASE BE AWARE THAT RELEVANT DAMAGES CAUSED BY THE QUOTED CIRCUMSTANCES MAY RESULT IN THE CALL-OFF OF THE WARRANTY.</p>		
3	<p>THE UNIT HAS BEEN INSTALLED IN ACCORDANCE WITH THE MINIMUM DISTANCE PROVIDED IN THE DIMENSIONAL DRAWING AND TECHNICAL DOCUMENTATION PROVIDED.</p>		
4	<p>THE UNIT IS INSTALLED NEXT TO THE: PHOTOVOLTAIC SYSTEM, ELECTRONIC TRANSMITTERS, ANTENNAS OR SIMILAR DEVICES.</p>		
5	<p>THE UNIT IS POSITIONED ON A PERFECTLY FLAT (NOT INCLINED) SURFACE.</p>		
6	<p>ANTI-VIBRATIONS DAMPERS HAVE BEEN INSTALLED BETWEEN THE UNIT AND THE FLOOR.</p>		
7	<p>THE UNIT DISPLAYS DEFECTS OR DAMAGES RESULTING FROM MODIFICATIONS OR CHANGES (UNIT TAMPERING / UNAUTHORIZED MODIFICATIONS TO THE REFRIGERANT CIRCUIT OR THE HYDRAULIC CIRCUIT OR THE ELECTRICAL PANEL OR CHANGES TO THE UNIT OPERATING PARAMETERS) MADE BY A THIRD PERSON WITHOUT A WRITTEN AUTHORIZATION ISSUED BY TRANE. THE UNIT SHALL BE CONFORM TO TRANE WIRING DIAGRAMS AND TECHNICAL DOCUMENTATION) IN CASE OF RELEVANT DIFFERENCE BETWEEN THE UNIT AND TRANE STANDARD CONFIGURATION PLEASE CONTACT TRANE.</p> <p><b>WARNING:</b> PLEASE BE AWARE THAT RELEVANT DAMAGES CAUSED BY THE QUOTED CIRCUMSTANCES MAY RESULT IN THE CALL-OFF OF THE WARRANTY.</p>		
8	<p>THE UNIT HAS BEEN INSTALLED VERY CLOSE TO <b>A MARINE ENVIRONMENT</b> OR AN <b>AGGRESSIVE INSTALLATION ENVIRONMENT</b> (HIGHLY CORROSIVE CHEMICAL AGENT).</p> <p><b>WARNING:</b> PLEASE BE AWARE THAT RELEVANT DAMAGES CAUSED BY THE QUOTED CIRCUMSTANCES MAY RESULT IN THE CALL-OFF OF THE WARRANTY.</p>		
9	<p>SPOTTED PRESENCE OF MOLD, MUSHROOMS, BACTERIA, MICROBIAL OF ANY TYPE.</p>		
10	<p>THE UNIT DISPLAYS DAMAGES CAUSED BY: FLOODS, LIGHTNING, FIRE, ANY ACCIDENT BEYOND TRANE CONTROL.</p>		

## ELECTRIC AND ELECTRONIC

		COMPLIANCE	
		YES	NO
11	THE UNIT IS ELECTRICALLY POWERED AND ALL THE RELEVANT ELECTRICAL WIRES ARE PROPERLY CONNECTED.		
12	ELECTRICAL SUPPLY HAS BEEN INSTALLED IN ACCORDANCE WITH THE INSTRUCTIONS PROVIDED IN THE NAME PLATE AND IN THE TECHNICAL DOCUMENTATION. (ELECTRICAL POWER SUPPLY: 230V/400V +/- 10% - MAXIMUM "% OF PHASE IMBALANCE: +/- 2% ) . IT IS RECOMMENDABLE TO CHECK BY USING A TESTER THE VOLTAGE VALUE ( BETWEEN PHASES AND BETWEEN PHASE AND NEUTRAL)		
13	PHASES ARE CONNECTED IN THE PROPER SEQUENCE.		
14	ELECTRICAL CABLES SIZE ARE CONFORM TO FLA MAX VALUE.		
15	BOTH EXTERNAL AND INTERNAL ELECTRICAL WIRES ARE WELL TIGHTENED.		
16	THE COMPRESSOR CRANCKCASE HEATERS HAVE BEEN POWERED AND HEATED AT LEAST 8 HOURS BEFORE THE START-UP		
17	AN ELECTRONIC SUPERVISOR (OR ANY ADDITIONAL CONTROLLER) HAS BEEN INSTALLED.		
18	THE CONNECTION WIRES ARE SHIELDED.		
19	REMOTE CONTROL DEVICES OR INTERFACES ARE CONNECTED TO THE ELECTRICAL PANEL IN CONFORMITY WITH TRANE WIRING DIAGRAMS		
20	ELECTRONIC DEVICES ARE INTACT AND DON'T DISPLAY ANY DAMAGE.		
21	AN EXTERNAL WATER PUMP IS ELECTRICALLY CONNECTED TO THE ELECTRICAL PANEL IN ACCORDANCE WITH THE WIRING DIAGRAMS PROVIDED BY TRANE		
22	THE ELECTRICAL ABSORPTION AND THE WATER PUMP OVERHEATING ARE STANDARD.		

## REFRIGERANT CIRCUIT

		COMPLIANCE	
		YES	NO
23	ALL CONNECTIONS ON THE REFRIGERANT CIRCUITS ARE WELL TIGHTENED.		
24	THE ELECTRONIC LEAKAGE DETECTOR OR THE PRESSURE GAUGE LEVEL INSTALLED ON THE REFRIGERANT CIRCUIT HAVE DETECTED ANY LEAKAGE. IF ANY, SPECIFY BELOW:		
25	THE COMPRESSOR OIL INDICATOR LIGHT POINTS THE MAXIMUM LEVEL.		
26	THE FILTER INDICATOR LIGHT ON THE LIQUID LINE IS GREEN. <b>WARNING:</b> THE YELLOW INDICATOR LIGHT INDICATES PRESENCE OF MOISTURE IN THE CIRCUIT. IN THIS CASE PLEASE CONTACT TRANE.		



## WATER CIRCUIT

		COMPLIANCE	
		YES	NO
28	<p>THE FILTER IS INSTALLED ON THE HEAT EXCHANGER INLET PIPES, AT A MAXIMUM DISTANCE OF 2 METERS FROM THE UNIT.</p> <p>PLEASE NOTE THAT THE FILTER INSTALLATION IS <b>MANDATORY</b>. FOR FURTHER TECHNICAL INFORMATION RELATING THE FILTER PLEASE REFER TO THE TECHNICAL DOCUMENTATIONS.</p>		
29	<p>THE FLOW SWITCH HAS BEEN INSTALLED AND ELECTRICALLY CONNECTED. PLEASE NOTE THAT FLOW SWITCH INSTALLATION IS <b>MANDATORY</b>.</p>		
30	<p>THE VALVES ON THE WATER PLANT MUST BE OPENED. PLEASE BE AWARE THAT IF THE MACHINE IS POWERED (OR IN STAND-BY MODE) PUMPS WILL START IF THE WATER TEMPERATURE IS EQUAL OR BELOW 4°C. CLOSING THE VALVES MAY THEREFORE CAUSE SEVERE DAMAGES.</p>		
31	<p>DRAINAGE VALVES ARE INSTALLED. THE DRAINAGE VALVES ARE INSTALLED ON THE LOWEST POINT. THE UTILIZATION OF AUTOMATIC DRAINAGE VALVES IS RECOMMENDED.</p>		
32	<p>AUTOMATIC OR MANUAL PURGE VALVES ARE INSTALLED.</p> <p>AUTOMATIC OR MANUAL PURGE VALVES ARE INSTALLED ON THE HIGHEST POINT.</p>		
33	<p>THE HYDRAULIC CIRCUIT HAS BEEN FILLED AND PURGED.</p> <p>THE PLANT SHALL BE PURGED SEVERAL TIMES BEFORE STARTING UP THE UNIT. THE FILTER INSTALLED NEXT TO THE HEAT EXCHANGER SHALL BE CLEANED SEVERAL TIMES BEFORE STARTING UP THE UNIT, UNTIL THE CORRECT DELTA T IS ASSURED AND THE HYDRAULIC PRESSURE IS CONFORM TO THE PLANT AND TO THE WATER PRESSURE DROPS. FOR FURTHER TECHICAL INFORMATIONS PLEASE REFER TO TRANE DOCUMENTATIONS AND PROCEDURE FOR THE FIRST START UP.</p>		
34	<p>HYDRAULIC CONNECTIONS TO THE UNIT ARE COMPLIANT WITH THE UNIT NAME PLATE AND DIMENSIONAL DRAWINGS (HOT WATER INLET, HOT WATER OUTLET, COLD WATER INLET, COLD WATER OUTLET, EXT.).</p>		
35	<p>RUBBER JOINTS ARE INSTALLED ON THE HYDRAULIC CONNECTIONS, IN ORDER TO MINIMIZE VIBRATIONS BETWEEN THE UNIT AND WATER PIPES.</p>		
36	<p>SHUTOFF VALVES ARE INSTALLED ON THE HYDRAULIC CIRCUIT.</p>		
37	<p>THE EXPANSION TANK IS INSTALLED ON THE HYDRAULIC CIRCUIT. EXPANSION TANK CAPACITY CONCURS WITH THE WATER PLANT CAPACITY.</p>		
38	<p>TEMPERATURE PROBES AND PRESSURE GAUGES ARE INSTALLED ON THE HYDRAULIC CIRCUIT, BOTH INLET AND OUTLET SIDE.</p>		
39	<p>THE HYDRAULIC CIRCUIT IS FREE FROM OBSTRUCTION OR ANY KIND OF CONSTRAINT.</p>		
40	<p>BUFFER TANKS ARE INSTALLED IN THE HYDRAULIC CIRCUIT. THE BUFFER TANKS INSTALLATION IS STRONGLY RECOMMENDED IN ORDER TO WARRANTY THE OPTIMAL UNIT OPERATION.</p> <p>SPECIFY HOT BUFFER TANK CAPACITY:LT</p> <p>SPECIFY COLD BUFFER TANK CAPACITY:LT</p>		
41	<p>THE PRESSURE RELIEF VALVE IS INSTALLED BETWEEN DELIVERY AND RETURN PIPES.</p> <p><b>WARNING:</b> IN ORDER TO AVOID WATER-HAMMER, THE RELIEF VALVE PRESSURE SHALL BE SET UP IN ACCORDANCE WITH THE STANDARD OPERATING PRESSURE OF THE WATER CIRCUIT.</p>		
42	<p>THE AUXILIARY HEATING SYSTEM IS INSTALLED IN THE WATER CIRCUIT IN ORDER TO AVOID THE START-UP OF THE UNIT WITH WATER TEMPERATURE BELOW 18°C. BEFORE STARTING UP THE UNIT THE INLET WATER TEMPERATURE MUST BE EQUAL OR HIGHER THAN 18°C.</p> <p><b>WARNING:</b> THE UNIT SHALL NEVER WORK (NOT EVEN FOR SHORT PERIODS) WITH AN INLET WATER TEMPERATURE LOWER THAN 18°C.</p>		
43	<p>ANTIFREEZE PROTECTIONS ARE INSTALLED IN THE WATER CIRCUIT (ELECTRICAL HEATERS ARE INSTALLED ON WATER PIPES AND TANKS).</p>		

	FOR FURTHER TECHNICAL INFORMATION PLEASE REFER TO TECHNICAL DOCUMENTATION PROVIDED. PLEASE NOTE THAT ANTIFREEZE PROTECTIONS ARE <b>MANDATORY</b> FOR OUTDOOR AIR TEMPERATURE LOWER THAN 3°C.		
44	THE WATER CIRCUIT IS FILLED WITH ETHYLENE GLYCOL. ETHYLENE GLYCOL “%” SHALL CONFORM WITH THE DATA PROVIDED IN THE TECHNICAL DOCUMENTATION.		
45	ALL WATER PIPES ARE GROUND CONNECTED (IN ORDER TO AVOID ABNORMAL VOLTAGES THAT CAN CAUSE DANGEROUS CORROSIONS).		
46	THE EVAPORATOR WATER FLOW IS COMPLIANT TO THE TECHNICAL DOCUMENTATION PROVIDED BY TRANE.		
47	THE WATER PUMPS ARE CORRECTLY SET UP IN ACCORDANCE WITH THE PLANT WATER FLOW, AVAILABLE HEAD PRESSURE AND PRESSURE DROP.		
48	THE PUMP IMPELLERS ARE MECHANICALLY UNBLOCKED AND UNCLOGGED (FREE FROM ANY KIND OF CONSTRAINTS.)		

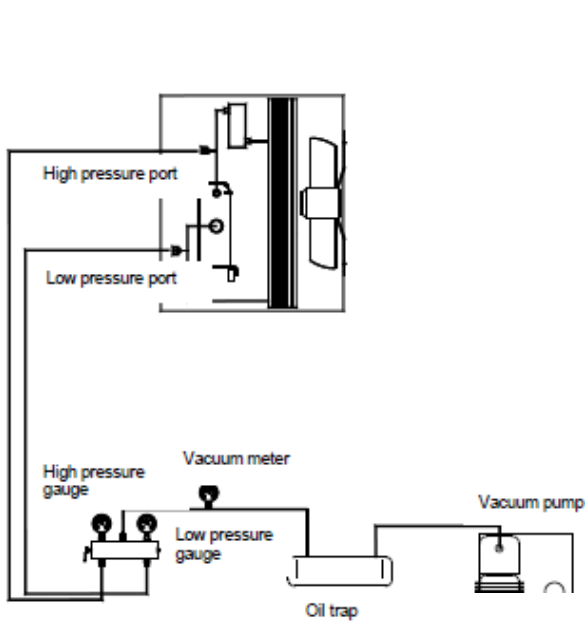
<b>DATE:</b>	<b><u>AUTHORIZED SERVICE:</u></b> <b><u>NAME AND SIGNATURE</u></b>	<b><u>CUSTOMER:</u></b> <b><u>NAME AND SIGNATURE</u></b>
--------------	---	---

## 12.1 REFRIGERANT CHARGE

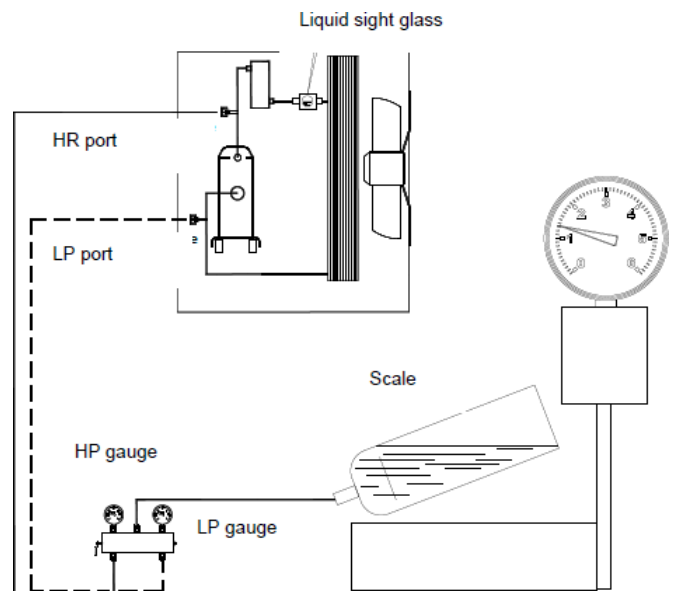
### 12.1.1 Refrigerant replacement procedure with unit stopped and in vacuum (refrigerant charge in the liquid phase)

Open the shut off valve as far as possible so that it closes the service coupling. Connect the refrigerant cylinder to the service coupling without tightening the coupling. Half close the liquid shut off valve. If the circuit has been dehydrated and is in vacuum, charge the liquid by turning the cylinder upside down. Weigh and charge the appropriate quantity. Open the valve completely. Start up the unit and leave it running at full charge for some minutes. Check that the indicator is clear with no bubbles. Make sure that the transparency condition without bubbles is due to the liquid and not to the vapour. Correct functioning of the unit allows for overheating of 4 - 7° C and subcooling of 4 - 8°C. Values of overheating which are too high may be caused by a lack of refrigerant, whereas high subcooling values may mean an excess of charge. After intervention on the charge, it is appropriate to check that the unit runs within the declared values: with unit steadily running on a full charge, measure the temperature of the suction line downstream of the thermostatic valve bulb; read the balance pressure to the evaporator on the low pressure manometer and the corresponding saturation temperature. Overheating is equal to the difference between the temperatures measured in this way. Then measure the temperature of the liquid line coming out of the condenser and read the balance pressure to the condenser on the high -pressure manometer and the corresponding saturation temperature. The subcooling is the difference between these temperatures.

**WARNING!** While refrigerant is being added, do not exclude any control system and let the water circulate in the evaporator to avoid the formation of ice.



Cooling circuit diagram with connection to vacuum pump



Refrigerant charge in the liquid phase

### 12.1.2 Refrigerant replacement procedure with unit running (refrigerant charge in the vapour phase)

**CAUTION!** charge vapour only. Do not charge liquid because it may damage the compressor.

Connect the refrigerant cylinder to the service valve without tightening the coupling. Drain the connection piping and tighten the coupling. Charge the circuit until the indicator indicates liquid without bubbles. Now the unit has the required charge. Make sure not to overcharge the circuit. Charging more than necessary leads to a higher delivery pressure, greater power consumption and possible damage to the compressor.

The symptoms of a low refrigerant charge are:

Low evaporation pressure.

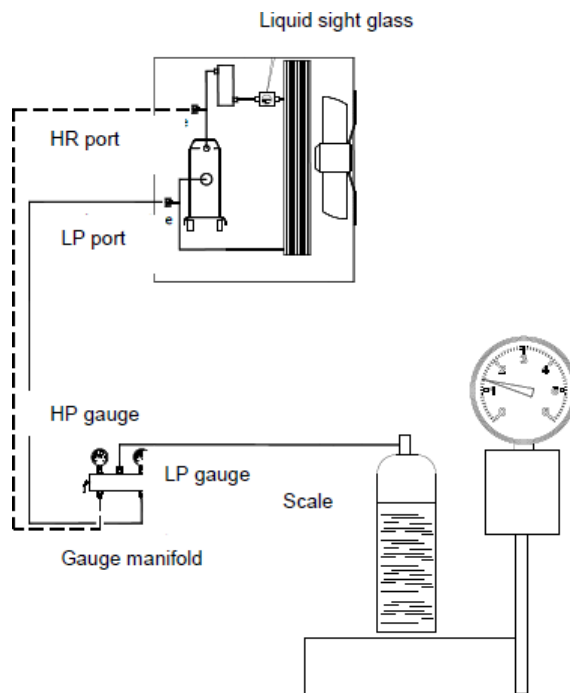
High value of superheating

Low value of subcooling.

In this case, add refrigerant R410A. The system is provided with a charging port between the expansion valve and the evaporator. Charge refrigerant until conditions return to work normal. Remember to replace the cap closing the valve at the end.

**IMPORTANT!**

If the unit has not been provided with integrated pump on board, do not turn off the external pump before 3 minutes have elapsed after turning off the last compressor. The early shutdown of the pump causes a water flow alarm failure.



Refrigerant charge in the vapour phase

## 13 START-UP

### 13.1 PRELIMINARY CONTROLS

Before starting up the equipment it is very important to check that all the operations described in the paragraph "CHECK LIST – MANDATORY OPERATION CONTROL BEFORE START UP" have been carried out correctly.

**Moreover check that all the mechanical and electrical connections have been correctly mounted and tightened. Particular attention should be paid to the main components (compressors, heat exchangers, fans, electrical motors, and water pump). In case loose connections are found tighten them well before starting up the unit.**

The oil heaters have to be activated at least 8 hours before starting up. Ensure that the compressors' carter is hot. Open the compressor valve and the cooling circuit valve, which may have been shut for charging. Control all the machinery connected to the unit.

### 13.2 STARTING UP

Start up the unit by pressing the ON/OFF button. About 20 seconds pass from the moment in which the startup request of the unit is given to the moment in which the (first) compressor starts. Three hundred and sixty seconds will pass from the last shut down to the next startup of the same compressor.

Check the rotation direction of the fans and scroll compressors. If it is not the right one, invert two supply phases. Ensure that all the safety and control equipment is functioning correctly. Control the temperature of the water coming out of the evaporator and regulate the control setting if necessary. Control the oil level.

The oil types are in the following tables:

CGB SIZE	COMPRESSOR TYPE	REFRIGERANT OIL TYPE
<b>CGB 017</b>	Copeland ZP	Emkarate RL32 3MAF
<b>CGB 020</b>	Copeland ZP	Emkarate RL32 3MAF
<b>CGB 025</b>	Copeland ZP	Emkarate RL32 3MAF
<b>CGB 028</b>	Copeland ZP	Emkarate RL32 3MAF
<b>CGB 033</b>	Copeland ZP	Emkarate RL32 3MAF
<b>CGB 036</b>	Copeland ZP	Emkarate RL32 3MAF
<b>CGB 039</b>	Copeland ZP	Emkarate RL32 3MAF
<b>CGB 045</b>	Danfoss PSH	POE
<b>CGB 050</b>	Danfoss PSH	POE

CXB SIZE	REFRIGERANT OIL TYPE	REFRIGERANT OIL TYPE
<b>CXB 017</b>	Copeland ZP	Emkarate RL32 3MAF
<b>CXB 020</b>	Copeland ZP	Emkarate RL32 3MAF
<b>CXB 025</b>	Copeland ZP	Emkarate RL32 3MAF
<b>CXB 028</b>	Copeland ZP	Emkarate RL32 3MAF
<b>CXB 033</b>	Copeland ZP	Emkarate RL32 3MAF
<b>CXB 036</b>	Copeland ZP	Emkarate RL32 3MAF
<b>CXB 039</b>	Danfoss PSH	POE
<b>CXB 045</b>	Danfoss PSH	POE
<b>CXB 050</b>	Danfoss PSH	POE
<b>CXB 055</b>	Danfoss PSH	POE
<b>CXB 065</b>	Danfoss PSH	POE
<b>CXB 080</b>	Danfoss PSH	POE
<b>CXB 090</b>	Danfoss PSH	POE

### 13.3 WARM UP OF THE PLANT

In order to keep all the unit components in good condition and to optimize their use, during the warm up it is necessary to bring the circuit to the right temperature before releasing cooling or heating energy to the utilities.

The following steps must be followed for this to be carried out:

- \* start up the unit
- \* wait for the water in temperature to reach the running temperature set
- \* start up the consumers

Follow the above mentioned procedure every time the plant is stopped long enough for the water temperature contained in it to vary considerably.

### 13.4 CONTROL OF THE OIL CHARGE

All the compressors mounted on Trane units are factory charged with oil whose chemical characteristic of stability are very good, so it is not necessary to change the lubricant oil frequently.

The scroll compressors are equipped with an oil sight glass from which you can control the level. In tandem or trio performances, pay particular attention to oil level. Not perfectly leveled sight glasses between compressors in parallel, but falling in the upper and lower limits, are considered normal.

In case of burns for the electrical motor or fault of the compressor, it is necessary to make a test to check the acidity of the lubricant oil and, eventually, clean the circuit to reduce the acidity to correct values, mounting for instance an anti-acid filter

and changing the oil in the circuit.

### **13.5 START UP PROCEDURE**

- 1) With the switch closed, open the electrical panel and exclude compressor (refer to the wiring diagram on the unit). Close the panel, set switch to "ON" (to give power to the unit).
- 2) Wait for the start of the microprocessor and control. Make sure that the temperature of the oil is hot enough. The oil temperature must be at least 5°C higher than the saturation temperature of the refrigerant inside the compressor.
- 3) Place the unit in the "ON" and wait until the unit is indicated on the display-On.
- 4) Turn on the pump at max speed if with inverter.
- 5) Verify that the loss of load of the evaporator is equal to that of the project and correct if necessary. The pressure drop on the evaporator must be read on the service valves installed on the evaporator piping as a standard. Do not measure the load losses in points where any valves and / or filters are interposed.
- 6) Check for air in cleaning filters, and then drain the system.
- 7) Return the pump to the factory setting.
- 8) Turn off the power (into standby mode) and make sure the pumps stop after about 2 minutes.  
Verify that the local temperature set point is set to the required value by pressing the Set button.
- 9) Turn the main switch to "OFF". Open the cabinet. Reactivate the compressors. Close the cabinet. Turn the main switch to "ON" (to give power to the unit).
- 10) Wait for the start of the microprocessor and control.
- 11) When the compressor is started, wait about 1 minute for the system begins to stabilize.
- 12) Check the pressure of evaporation and condensation of refrigerant.
- 13) Verify that, after a period of time necessary for the stabilization of the refrigerant circuit, the liquid indicator placed on the inlet pipe to the expansion valve is completely filled (no bubbles), and that the moisture indicator displays 'Dry'. The passage of bubbles within the liquid indicator may indicate a low amount of refrigerant, or an excessive pressure drop through the filter drier, or an expansion valve blocked at the maximum opening position
- 14) In addition to checking the sight glass, check the operating parameters of the circuit controlling:
  - a) - Overheating compressor
  - b) - Overheating compressor discharge
  - c) - Sub-cooling of the liquid exiting the condenser coil
  - d) - Evaporation pressure
  - e) - Condensing pressure
- 15) Measure the values of pressure and temperature by means of the suitable instrumentation and make comparison by reading the corresponding values directly on the display of the microprocessor on board
- 16) To temporarily turn off the unit put on standby the unit key or open the remote contact (terminals shown in the wiring diagram provided with the unit) of the terminal X (by means of a remote switch installed by the customer) or set time zones. The microprocessor will activate the shutdown procedure that will take a few seconds. The unit water pump will be running on for two minutes after the unit has been switched off. Do not remove the main power to not turn off the electrical resistances of the compressor and the evaporator.

## 14 MAINTENANCE

Maintenance operations are fundamental in order to keep the units running properly, from both a purely functional and an energetic point of view.

Every Trane unit comes with a logbook, in which the user or the person delegated to machine maintenance can keep all the required notes, in order to keep a historical log of the Trane unit.

A lack of notes in the logbook could be considered proof of careless maintenance.

### 14.1 GENERAL

#### **IMPORTANT!**

Beyond the cadences of checks recommended in the following, in order to keep the unit at optimum levels of performance and efficiency and prevent incipient failures, we recommend periodic visits of inspection and control of the unit by qualified personnel.

In particular, we recommend:

4 annual visits to units that operate about 365 days / year (quarterly)

2 visits per year for units with seasonal operation about 180 days / year (one at the start of the season and one at mid-season)

1 annual visit for units with seasonal operation of about 90 days / year (starting seasonal)

It's important that during the initial start-up and periodically during operation that routine checks are carried out. Among them we must also check the suction and condensation as well as the sight glass located on the liquid line. Check through the microprocessor installed on the unit, the unit is working within normal parameters of superheating and subcooling. A routine maintenance program recommended is shown at the end of this chapter while a card collection of operating data is at the end of this manual. It is suggested to record on a weekly basis all the operating parameters of the unit. The collection of these data will be very useful to technicians, in case it is requested technical assistance.

#### **Compressor Maintenance**

**IMPORTANT!** This inspection must be performed by qualified and trained personnel.

The analysis of vibration is a great tool for checking the mechanical conditions of the compressor.

It is recommended to check the value of the vibration immediately after starting and periodically on an annual basis.

#### **Compressor Electrical Connections**

It is very important that all the compressors are wired correctly for proper rotation. These compressors will not tolerate reverse rotation. Verify correct rotation/phasing using a rotation meter.

If wired incorrectly the compressor will make excessive noise, will not pump and will draw about half the normal current. It will also become very hot if allowed to run for an extended period.

**NOTE: Do not "bump" the compressor to check rotation as incorrect rotation could cause compressor motor failure in as little as 4 to 5 seconds!**

Improper rotation of the compressors is indicated by a compressor module trip, noisy operation, no pressure difference on manifold gauges and low amp draw.

#### **Compressor Replacement**

If the chiller suffers a failed compressor, follow these steps for replacement:

Each compressor has lifting eyes. Both lifting eyes must be used to lift the failed compressor.

After a mechanical failure of a compressor, it is necessary to change the oil in the remaining compressor and also replace the liquid line filter drier. After an electrical failure of a compressor, it will also be necessary to change the oil in the remaining compressor, replace the filters driers and add a suction filter drier with clean-up cores.

Make sure that a heater is correctly installed on the compressor. The heater helps prevent dry starts.

Note: Do not alter the refrigerant piping in any way as this can affect compressor lubrication.

#### **Refrigerant System Open Time**

The units use POE oil and therefore refrigerant system open time must be kept to a minimum. The following procedure is recommended:

Leave a new compressor sealed until it is ready to be installed in the unit. Maximum system open time is dependent upon ambient conditions, but do not exceed one hour open time.

Plug the open refrigerant line to minimize moisture absorption. Always change the liquid line filter drier.

Do not leave POE oil containers open to the atmosphere. Always keep them sealed.

### 14.2 SIGHT CHECK OF THE LIQUID RECEIVER

The risks due to the pressure inside the circuit have been eliminated or (when it is not possible) reduced by means of safety devices. It is important to check periodically the status of these devices and to carry out the components inspections and repositioning as follows.

Check the liquid receiver state at least once a year.

It is important to check that the surface does not get rusty and that neither corrosion nor deformations are visible.

In case the superficial oxidation and the corrosion are not properly controlled and stopped in time, cause a thickness

reduction with a consequent reduction of the receiver mechanical resistance.  
Use antioxidant paint or products to protect.

### 14.3 STANDARD CONTROLS

It is mandatory to clean regularly the coils for a proper unit operation. Pollution and other residual material clearing helps extend the life of the coils and the whole unit

Operations description	Recommended basis
Compressors oil level check	monthly
Inlet temperature check (overheating)	monthly
Water circuits filling check	monthly
Fans and compressors motors electrical input check	monthly
Power supply and auxiliary power voltage check	monthly
Refrigerant charge check through sight glass	monthly
Compressors carter heaters operation check	monthly
Tightening all electrical connections	monthly
Coils cleanliness	monthly
Compressors and liquid circuit solenoid valve check	semiannual
Safety pressure switch check	quarterly
Fans and compressors contactors state check	quarterly
Evaporator heater operation check	quarterly
Motor and fan bearing noise check	semiannual
Pressure vessels conditions check	yearly

**Temperature and pressure probes** – The unit comes factory-equipped with all the sensors listed below. Periodically check that their measurements are correct by means of sample instruments (manometers, thermometers); correct readings if necessary using the microprocessor keyboard. Well- calibrated sensors ensure better efficiency for the unit and a longer lifetime.

Note: refer to the microprocessor use and maintenance manual for a complete description of applications, setting and adjustments.

All sensors are preassembled and connected to the microprocessor. The descriptions of each sensor are listed below:

**Outgoing water temperature sensor** –This sensor is located on the evaporator outgoing water connection and is used for antifreeze protection.

**Ingoing water temperature sensor** –This sensor is located on the evaporator ingoing water connection and is used for monitoring the return water temperature.

It is used by the microprocessor to control the unit load according to the system thermal load.

**External air temperature sensor** –This sensor allows to monitor the external air temperature on the microprocessor display.

#### IMPORTANT:

Only if the unit is equipped with an advanced unit controller, being the Dixell iPRO controller type, and in case the unit installed is a CXB and at the same time a low ambient kit down to - 15°C is required, or if a Multimanager System is required, both a **high pressure transducer** and a **low pressure transducer** together with **two compressor discharge temperature sensors** (one per compressor delivery) are installed as iPRO controller inputs. In any other case the unit is equipped with the basic controller Dixell iCHILL and only one **pressure transducer** is installed as controller input. The drive of the electronic expansion valve (standard) is a Carel EVD drive and has a temperature sensor and a pressure transducer as its own inputs.

**iCHILL pressure transducer** –This allows to monitor the pressure on the refrigerant circuit thread between the cycle inversion valve (VIC) and the coil which is common to CGB/CXB refrigerant circuits. This transducer is the iCHILL input controller which the control of the ventilators is based on.

**iPRO high pressure transducer** –This allows to monitor the delivery pressure and to control the ventilators. Should an



increase in condensation pressure occur, the microprocessor will control the circuit load in order to allow it to function even if choked. It contributes to complementing the oil control logic.

**iPRO low-pressure transducer** – This allows to monitor the compressor suction pressure along with low pressure alarms. It contributes to complementing the oil control logic.

**iPRO compressor discharge temperature sensor** – This allows to monitor compressor discharge temperature and oil temperature. The microprocessor shuts down the compressor in case of alarm in the event that the discharge temperature reaches 120°C. This is installed only on CXB and in case a low ambient kit down to -15°C is required.

## 14.4 ORDINARY MAINTENANCE

Activities list	week	Month (note 1)	Year (note 2)
<b>General:</b>			
Data collection operation (3)	X		
Visually inspect the unit for any damage and / or looseness		X	
Verifying the integrity of the thermal insulation			X
Clean and paint where needed			X
Water Analysis (6)			X
<b>Electric:</b>			
Check the correct operation of the equipment on the unit			X
Check the wear of contactors - Replace if necessary			X
Check tightness of all electrical terminals - Tighten if necessary			X
Clean the inside of the electrical panel			X
Visual inspection of the components for signs of overheating		X	
Check the operation of the compressor and the electric resistance		X	
Measurement using a Megger insulation of the compressor motor			X
<b>Refrigerant circuit:</b>			
Perform a test of refrigerant leaks		X	
Check through the sight glass coolant flow - Full Indicator	X		
Check the pressure drop of the filter drier		X	
Check the pressure drop of the oil filter (5)		X	
Carry out the analysis of the vibrations of the compressor			X
Carry out the analysis of the acidity of the oil of the compressor (7)			X
<b>Condensing section:</b>			
Cleaning the condenser coils (4)			X
Check that the fans are tightened			X
Check the fins of coils – comb it if necessary			X

### Notes:

- 1) The monthly activities include all those weekly.
- 2) The annual activity (or earlier in the season), include all activities weekly and monthly.
- 3) The values of the unit should be recorded each day for a high level of observation.
- 4) The coil cleaning may be required more frequently in areas with a high percentage of particles in the air.
- 5) Replace the oil filter when its pressure drop reaches 2.0 bar.
- 6) Check for dissolved metals.
- 7) TAN (Total Acid Number):
 

0.10:	No action
From 0.10 to 0.19:	Repositioning filters antacid and occurs after 1000 hours of operation. Continue to replace the filters until the TAN not falls below 0.10.
> 0.19:	Changing the oil, oil filter and the filter drier, Refer to regular intervals.

## 15 RECOMMENDED SPARE PARTS

There follows a list of the recommended parts for several years' running. Trane is at your disposal to recommend a specific list of accessories according to the commissioned order, including the part number of the equipment.

1 YEAR		2 YEAR		5 YEAR	
COMPONENTS	QUANTITY	COMPONENTS	QUANTITY	COMPONENTS	QUANTITY
fuses	(all)	fuses	(all)	fuses	(all)
filter dryers	(all)	filter dryers	(all)	filter dryers	(all)
solenoid valves	(1 per type)	solenoid valves	(all)	solenoid valves	(all)
electronic expansion valves	(1 per type)	electronic expansion valves	(all)	electronic expansion valves	(all)
pressure switches	(1 per type)	pressure switches	(all)	pressure switches	(all)
gas gauges	(1 per type)	gas gauges	(all)	gas gauges	(all)
contactors and relays	(1 per type)	contactors and relays	(all)	contactors and relays	(all)
thermal protectors	(1 per type)	thermal protectors	(all)	thermal protectors	(all)
carter electric heaters	(1 per type)	carter electric heaters	(all)	carter electric heaters	(all)
4-way valve	(1 per type)	4-way valve	(1 per type)	4-way valve	(1 per type)
check valve	(1 per type)	check valve	(1 per type)	check valve	(all)
sight glass	(1 per type)	sight glass	(1 per type)	sight glass	(all)
fans and engines	(1 per type)	fans and engines	(1 per type)	fans and engines	(all)
		electrical components	(all)	electrical components	(all)
		compressors	(1 per type)	compressors	(all)
				heat exchanger	(1 per type)

## 16 TROUBLESHOOTING

Symptom	Cooling	Heating	Who can take corrective action		Probable cause	Possible remedy
			U = User	S = specialised personnel		
<b>A</b> The unit does not start	X	X		S	Probe faulty service	Check and replace if necessary.
	X	X		S	Lack of consent of the high or low pressure	See points D-E
	X	X		S	Defective compressor	See point B.
<b>B</b> The compressor does not start	X	X		S	Compressor burnt or seized	Replace the compressor.
	X	X		S	Compressor contactor de-energized	Check the voltage across the coil of the compressor contactor and the continuity of the coil.
	X	X		S	Power circuit open	Investigate the cause of the protection, and check if there are any short circuits in the wiring or in the windings of the motors of pump, fan, compressor and transformer
	X	X		S	Motor thermal protection open	The compressor has operated in critical condition or there is a lack of charge in the circuit: Make sure that working conditions are within the limits of operation. Loss of coolant: see section G.
<b>C</b> The compressor starts up and stops repeatedly	X	X		S	Intervention of the minimum	See point E.
	X	X		S	Compressor contactor defective	Check and replace if necessary.
	X	X		U	Calibration values of the set-point or differential	Modify them as reported in the in the tables.
	X	X		S	Lack of coolant	See point G
<b>D</b> The compressor does not start because the maximum pressure switch has tripped	X	X		S	Pressure switch out of order	Check and replace.
	X	X		S	Overcharge of refrigerant	Download the excess refrigerant
	X			U	Finned coil clogged, air flow rate is too low	Remove dirt from the coil and obstructions to the air flow
	X			S	Fan not working	See point F.
			X	S	Water pump circulation blocked	Unblock the pump.
			X	X	Water circulation pump and defective	Check and replace if necessary.
	X	X		S	Presence of non-condensable gases in the refrigerant circuit	Prime the circuit after it has been downloaded and put under vacuum.
X	X		S	Refrigerant filter clogged	Check and replace.	

Symptom	Cooling	Heating	Who can take corrective action		Probable cause	Possible remedy
			U = User	S = specialised personnel		
<b>E</b> The compressor does not start because the minimum pressure switch has tripped	X	X	S		Pressure switch out of order	Check and replace.
	X	X	S		Machine completely void of refrigerant	See point G.
		X	U		Finned coil clogged, airflow rate is too low	Remove dirt from the coil.
	X		U		Water circulation pump blocked	Unlock the pump
	X		S		Water circulation pump blocked and defective	Check the pump and replace if necessary
		X	S		Presence of frost on the evaporator coil	See point N.
		X	S		Evaporator fan not working	See point F.
	X	X	S		Refrigerant filter clogged	Check and replace.
	X	X	S		Expansion device that is not working properly	Check and replace if necessary.
X	X	S		Presence of moisture in the refrigerant circuit	Replace the filter, dry and recharge	
<b>F</b> The fans do not start	X	X	S		Fan contactor de-energized	Check the voltage across the coil of the contactor and the continuity of the coil.
	X	X	S		Lack of output voltage from the control fan speed	Check the contacts, replace if necessary.
	X	X	S		Thermal protection inside the fan	Check the condition of the fan and the air temperature during operation of the unit.
	X	X	S		Fan motor faulty	Check and replace.
	X	X	S		Loose electrical connections	Check and replace.
<b>G</b> Lack of gas	X	X	S		Loss in the refrigerant circuit	Check the cooling circuit using a leak detector after pressurising the circuit to approximately 4 bars. Repair, evacuate and refill.
<b>H</b> Frost in the liquid line downstream from a filter	X	X	S		The filter is clogged	Replace the filter
<b>I</b> The unit works continuously without ever stopping	X	X	S		Lack of refrigerant gas	See item G.
	X	X	U		Incorrect tuning of the operating thermostat	Check and set.
	X	X	S		Excessive thermal load	Reduce the thermal load
	X	X	S		Compressor does not give the thermal output	Check, change or revise
	X	X	S		The liquid filter is clogged	Replace.
<b>L</b> The unit works regularly but with an insufficient capacity	X	X	S		Low refrigerant charge	See point G.
	X	X	S		4-way reversing valve defective	Check the power supply and the coil of the valve and replace the valve

Symptom	Cooling	Heating	Who can take corrective action U = User S = specialised personnel	Probable cause	Possible remedy
<b>M</b> Frost in the compressor intake pipe	X	X	S	Expansion device that is not working properly	Verify and replace.
	X	X	S	Water circulation pump blocked	Unlock the pump.
	X	X	S	Water circulation pump defective	Check the pump and replace if necessary.
	X	X	S	Low refrigerant charge	See point G.
	X	X	S	The liquid filter is clogged	Replace.
<b>N</b> Abnormal noise detected in the system	X	X	S	Compressor noisy	Check and replace if necessary.
	X	X	S	The panel vibrates	Fasten properly.
<b>O</b> The defrosting cycle is never activated		X	S	4-way reversing valve defective	Check the power supply and the coil of the valve and replace the valve.
		X	S	The defrost thermostat is worn out or has an incorrect calibration value	Check and replace if defective or change the calibration value.
<b>P</b> The unit does not start	X	X	S	Phases of the supply network reversed	Invert two phases.

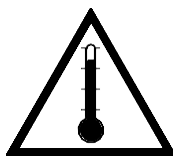
## 17 IMPROPER USES

The unit is projected and built up to grant the maximum safety in its proximity, as well as to resist to the aggressive environmental conditions. The fans are protected by grilles. Residual risks are indicated with warning labels.

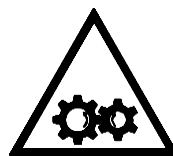
### SAFETY SYMBOLS



**DANGER:**  
General danger



**DANGER:**  
Temperature



**DANGER:**  
Moving parts



**DANGER:**  
Cutoff voltage

Trane - by Trane Technologies (NYSE: TT), a global climate innovator - creates comfortable, energy efficient indoor environments for commercial and residential applications. For more information, please visit [trane.eu](http://trane.eu) or [tranetechnologies.com](http://tranetechnologies.com).  
Trane has a policy of continuous product and product data improvement and reserves the right to change design and specifications without notice.