



# Water-Cooled Screw Chillers and Water/Water Heat Pumps

Model RTWD Water-Cooled  
Model RTUD Condenserless  
240-1005 kW



October 2020

**RLC-PRC035K-GB**

TRANE  
TECHNOLOGIES™

Confidential and proprietary Trane information



# Table of Contents

Table of Contents .....	2
Introduction .....	3
Important Design Advances and Features .....	3
Features and Benefits .....	4
Reliability .....	4
High Performance .....	4
Life Cycle Cost-Effectiveness .....	4
Application Versatility .....	4
Simple, Economical Installation .....	5
Precision Control .....	5
Application Considerations .....	6
Condenser Water Temperatures .....	6
Variable Evaporator Flow and Short Evaporator Water Loops .....	6
Series Chiller Arrangements .....	7
Heat Recovery .....	7
Water-to-Water Heat Pump .....	7
Dry Cooler .....	7
Water Treatment .....	7
Water Pumps .....	7
Model Number Descriptions .....	8
General Data .....	11
Controls .....	25
LCD Touch-Screen Display with Multi-Language Support .....	25
Display Features Include: .....	25
LonTalk/Tracer Summit Interface .....	25
Time of Day Scheduling .....	26
Hardwire Points .....	26
Electrical Data .....	27
Dimensions .....	31
Notes .....	37



# Introduction

To meet a wide range of applications in the 240-1005 kW water-cooled market, Trane is proud to offer the model RTWD chiller and heat pump and the condenserless compressor chiller version: the model RTUD. Both models are leading the industry in terms of application versatility, ease of installation, control precision, reliability, energy-efficiency, and operational cost-effectiveness.

The units are designed to deliver proven performance, plus all the benefits of an advanced heat transfer design with two low-speed, direct-drive compressors.

## Important Design Advances and Features

- High Seasonal Efficiency (HSE) version with Adaptive Frequency Drive for premier part load efficiency reducing both operating and life cycle costs.
- Variable evaporator flow compensation for improved control stability with energy saving variable flow applications.
- Single chiller time of day scheduling communication option for easier control of small jobs.
- Dual independent refrigerant circuits.
- HFC-134a optimized design.

The industrial-grade design of the helical-rotary chiller is ideal for both industrial and commercial markets, in applications such as office buildings, hospitals, schools, retail buildings, and industrial facilities. The reliable compressors, wide operating temperature range, advanced controls, electronic expansion valve, short anti-recycle timers, and industry-leading efficiencies mean that this latest Trane chiller is the perfect choice for tight temperature control in almost any application temperatures, and under widely varying loads.



# Features and Benefits

## Reliability

- The Trane helical rotary compressor is a proven design resulting from years of research and thousands of test hours, including extensive testing under extraordinarily severe operating conditions.
- Trane is the world's largest manufacturer of large helical rotary compressors, with more than 240,000 compressors installed worldwide.
- Direct drive, low-speed compressors—a simple design with only four moving parts—provides maximum efficiency, high reliability, and low maintenance requirements.
- Suction gas-cooled motor stays at a uniformly low temperature for long motor life.
- Electronic expansion valve, with fewer moving parts than alternative valve designs, provides highly reliable operation.

## High Performance

- Advanced design enables chilled water temperature control to  $\pm 0.5^{\circ}\text{F}$  ( $0.28^{\circ}\text{C}$ ) for flow changes up to 10 percent per minute, plus handling of flow changes up to 30 percent per minute for variable flow applications.
- Two minute stop-to-start and five minute start-to-start anti-recycle timer allows tight chilled water temperature control in constant or transient low-load applications.
- High compressor lift capabilities for use with heat recovery and waterside heat pump applications allows highly efficient system design with minimal operational concerns.
- Tight water temperature control extends to operation of multiple chillers in parallel or series configurations, offering further system design flexibility for maximum efficiency.
- Optional LonTalk/Tracer Summit communications interface provides excellent, trouble-free inter operability.

## Life Cycle Cost-Effectiveness

- Precise compressor rotor tip clearance ensures optimal efficiency.
- Condenser and evaporator tubes use the latest heat transfer technology for increased efficiency.
- Electronic expansion valve enables exceptionally tight temperature control and extremely low superheat, resulting in more efficient full-load and part-load operation than previously available.
- Chilled water reset based on return water temperature is standard.
- Electrical current-limiting is available as an option.

## Application Versatility

- **Industrial/low temperature process cooling** – Excellent operating temperature range and precise control capabilities enable tight control with single chiller or series configuration.
- **Ice/thermal storage** – Specifiers and operators benefit from dual setpoint control and industry-leading temperature, efficiency, and control capabilities, plus outstanding support through partnership with Calmac, a strong Trane partner providing proven installation examples, templates, and references that minimize design time and energy costs.
- **Heat recovery** – Maximum condenser temperature exceeds those of previous technologies, providing hot water and tight control that minimizes operating costs for the chilled water plant and boiler/hot water heater, while also providing consistent dehumidification.
- **Water to water heat pump** – For multi-chiller systems where there is a base or year-round heating load the RTWD can be used as a water side heat pump by utilizing ground or surface water as a heat source. Leaving condenser temperature control option allows for the chiller to be used and controlled primarily for the heat produced in the condenser.
- **Dry Cooler** – Allows for use with a closed condenser loop system that minimizes the potential for cross-contamination of the condenser loop.
- **Variable primary flow** – Variable evaporator flow compensation allows multi-chiller systems to vary the flow of water throughout the entire system (from the evaporator through the cooling coils). This feature also provides additional system efficiency as the number of pumps and the flow rate in the system are reduced. Standard 2 pass or optional 3 pass evaporator allows for a wider range of flow capabilities.
- **Series chiller configuration** – For two-chiller systems all the system water passes through the evaporators and/or condensers of both chillers to take advantage of system efficiency gains due to thermodynamic staging as well as downsizing the upstream chiller.
- **EarthWise system** – Low flow and high temperature differential installations allow for reduced pump and cooling-tower energy by decreasing the amount of water flow pumped through the system. This results in downsizing of all HVAC and ancillary equipment which provides installation and operational savings.
- **Extended Partial Load Efficiency, HSE versions** – For applications where there is significant variation in the cooling load and where high part load efficiency is required, the HSE version with factory-mounted Advanced Frequency Drive (AFD), provides considerable advantages and savings.



## Features and Benefits

### Simple, Economical Installation

- All units fit through standard double-width doors. Units are designed with bolt-together construction for disassembly to fit through smaller openings.
- Small footprint saves valuable equipment room space and alleviates access concerns for most retrofit jobs.
- Lightweight design simplifies rigging requirements, further reducing installation time requirements and costs.
- Full factory refrigerant and oil charges reduce required field labor, materials, and installation cost.
- Integrated forklift channels on the unit base allow for easy movement of the chiller at the job site.
- Single or dual point power connection options simplify overall installation.
- Unit-mounted starter eliminates additional job site installation considerations and labor requirements.
- Trane CH530 controls easily interface with Tracer Summit™ or LonTalk™ building automation systems through single twisted-pair wire.
- Trane has conducted extensive factory testing during manufacturing, and also offers options for in-person and/or documented system performance verification.

### Precision Control

- Microprocessor-based Trane CH530 controls monitor and maintain optimal operation of the chiller and its associated sensors, actuators, relays, and switches, all of which are factory assembled and extensively tested.
- Easy interface with computers hosting LonTalk/Tracer Summit building automation/energy management systems allows the operator to efficiently optimize comfort system performance and minimize operating costs.
- Proportional Integral Derivative (PID) control strategy ensures stable, efficient chilled water temperature, maintaining  $\pm 0.56^{\circ}\text{C}$  by reacting to instantaneous load changes.
- Adaptive Control™ attempts to maintain chiller operation under adverse conditions, when many other chillers might simply shut down. This is accomplished by unloading the compressor due to high condensing pressure, low suction pressure and/or overcurrent.
- Easy-to-use operator interface displays all operating and safety messages, with complete diagnostics information, on a easily readable panel with a scrolling touch-screen display.
- New variable evaporator flow compensation maintains improved control stability of the leaving water temperature.



# Application Considerations

## Condenser Water Temperatures

With the model RTWD chiller, condenser head pressure control is necessary only if the unit starts with entering condenser water temperatures below 12.8°C, or between 7.2°C and 12.8°C, when a temperature increase of 0.56°C per minute to 12.8°C is not possible.

When the application requires startup temperatures below the prescribed minimums, a variety of system implementation options are available including the use of a 2- or 3-way valve or tower bypass to maintain the required system refrigerant differential pressure.

- To control a 2-way or 3-way valve, select the Condenser Regulating Valve Control option for the Trane CH530 controls. This option enables the CH530 controls to send a signal for opening and closing the valve as necessary to maintain chiller differential refrigerant pressure.
- Tower bypass may also be a valid control method if the chiller temperature requirements can be maintained and the loop is small.

The minimum acceptable refrigerant pressure differential between condenser and evaporator is 1.7 bars at all load conditions in order to ensure adequate oil circulation. Condenser leaving water temperature must be 9.5°C higher than evaporator leaving water temperature within 2 minutes of startup. A 13.9°C temperature difference must be maintained thereafter [this differential requirement is lessened by 0.14°C for every 0.56°C that the condenser leaving water temperature is above 12.8°C].

Trane chillers start and operate successfully and reliably over a range of load conditions with controlled condenser pressure. Reducing the condenser water temperature is an effective method of lowering chiller power input required, but the ideal temperature for optimizing total system power consumption will depend on the overall system dynamics. From a system perspective, some improvements in chiller efficiency may be offset by the increased tower fan and pumping costs required to achieve the lower tower temperatures. Contact your local Trane systems solution provider for more information on optimizing system performance.

## Variable Evaporator Flow and Short Evaporator Water Loops

Variable evaporator flow is an energy-saving design strategy which has quickly gained acceptance as advances in chiller and controls technology have made it possible. With its superior unloading compressor design and advanced Trane CH530 controls, the RTWD and RTUD have excellent capability to maintain leaving water temperature control within  $\pm 0.28^\circ\text{C}$ , even for systems with variable evaporator flow.

Some basic rules should be followed whenever using these system design and operational savings methods with the RTWD and RTUD. The proper location of the chilled water temperature control sensor is in the supply (outlet) water. This location allows the building to act as a buffer, and it assures a slowly changing return water temperature. If there is insufficient water volume in the system to provide an adequate buffer, temperature control can be lost, resulting in erratic system operation and excessive compressor cycling. To ensure consistent operation and tight temperature control, the chilled water loop should be at least two minutes. If this recommendation cannot be followed, and tight leaving water temperature control is necessary, a storage tank or larger header pipe should be installed to increase the volume of water in the system.

For variable primary flow applications, the rate of chilled water flow change should not exceed 10 percent of design per minute to maintain  $\pm 0.28^\circ\text{C}$  leaving evaporator temperature control. For applications in which system energy savings is most important and tight temperature control is classified as  $\pm 1.1^\circ\text{C}$ , up to 30 percent change in flow per minute are possible. Flow rates should be maintained between the minimum and maximum allowed for any particular chiller configuration.

For applications designed to operate with changes in the water flow rate, the new evaporator waterflow compensation improves the ability of the chiller to respond to increasing or decreasing water flow. This new standard control feature works by varying the leaving evaporator temperature control gains in response to changes in evaporator water flow. By measuring the refrigerant flow in each circuit and using this value to calculate the resulting waterside temperature drop, the CH530 can estimate the water flow rate through the evaporator.

## Application Considerations

### Series Chiller Arrangements

Another energy-saving strategy is to design the system around chillers arranged in series, on the evaporator, condenser, or both. It is possible to operate a pair of chillers more efficiently in a series chiller arrangement than in a parallel arrangement. It is also possible to achieve higher entering-to-leaving chiller differentials, which may, in turn, provide the opportunity for lower chilled water design temperature, lower design flow, and resulting installation and operational cost savings (including downsizing a chiller).

The Trane screw compressor also has excellent “lift” capabilities which afford an opportunity for savings on the evaporator and condenser water loops. Like series arrangements on the evaporator, series arrangements on the condenser may enable savings. This approach may allow reductions in pump and tower installation and operating costs.

Maximizing system efficiency requires that the designer balance performance considerations for all system components; the best approach may or may not involve multiple chillers, or series arrangement of the evaporators and/or condensers. This ideal balance of design integrity with installation and operating cost considerations should be researched by consulting a Trane systems solutions provider and applying the Trace™ building energy and economic analysis program.

### Heat Recovery

At a time when energy costs are high and continue to rise, reducing energy usage has become increasingly important. By using a RTWD chiller with heat recovery, utilization of energy can be improved by using heat from the condenser that would otherwise be wasted.

The use of heat recovery should be considered in any building with simultaneous heating and cooling requirements or in facilities where heat can be stored and used at a later time. Buildings with high year-round internal cooling loads are excellent opportunities for heat recovery. Heat recovery can be accomplished with the RTWD by recovering heat from the water leaving the standard condenser and using it in conjunction with a third party heat exchanger.

### Water-to-Water Heat Pump

The RTWD can be used as a water side heat pump by using ground or surface water as a heat source. Leaving condenser water control option provides the ability to control the heating setpoint. Local regulation concerning limitation on minimum/maximum rejected water temperature needs to be checked before using this method.

If a multiple-chiller building needs both heating and cooling, then a dedicated chiller such as a RTWD can be piped in side stream arrangement and thus be loaded to any capacity by varying its chilled-water setpoint. When operating, it cools the return chilled water temperature to the other chillers. An advantage of the side stream configuration is that the side stream chiller does not need to produce the design system supply-water temperature. It can produce the exact water temperature necessary to meet the required heating load. This allows the chiller to operate more efficiently because the cooling is produced at a higher chilled-water temperature.

### Dry Cooler

The RTWD can be used with dry coolers. Generally this application is selected to minimize the spread of airborne contaminants associated with open tower systems. In addition, other drawbacks of cooling towers are avoided: water consumption, production of vapor, need of water treatment, etc. Another benefit of dry coolers is the ability to operate in low ambient conditions. With the use of a third party heat exchanger this design can also be used to provide free cooling to the chilled water loop during cold weather.

### Water Treatment

The use of untreated or improperly treated water in chillers may result in scaling, erosion, corrosion, and algae or slime buildup. It is recommended that the services of a qualified water treatment specialist be engaged to determine what treatment, if any, is advisable.

### Water Pumps

Where noise limitation and vibration-free operation are important, Trane strongly encourages the use of 1750-rpm (60 Hz) [1450-rpm (50 Hz)] pumps. Specifying or using 3600-rpm (60 Hz) [3000-rpm (50 Hz)] condenser water and chilled water pumps must be avoided, because such pumps may operate with objectionable levels of noise and vibration. In addition, a low frequency beat may occur due to the slight difference in operating rpm between 3600-rpm (60 Hz) [3000-rpm (50 Hz)] water pumps and chiller motors.

*Note: The chilled water pump must not be used to stop the chiller.*



# Model Number Descriptions

## Digits 01, 02, 03, 04 – Chiller Model

RTWD = Water Cooled Chiller

RTUD - Compressor Chiller

## Digit 05, 06, 07 – Unit Nominal Tonnage

060 = 60 Nominal Tons

070 = 70 Nominal Tons

080 = 80 Nominal Tons

090 = 90 Nominal Tons

100 = 100 Nominal Tons

110 = 110 Nominal Tons

120 = 120 Nominal Tons

130 = 130 Nominal Tons

140 = 140 Nominal Tons

150 = 150 Nominal Tons

160 = 160 Nominal Tons

170 = 170 Nominal Tons

170 = 170 Nominal Tons

180 = 180 Nominal Tons

190 = 190 Nominal Tons

190 = 190 Nominal Tons

200 = 200 Nominal Tons

220 = 220 Nominal Tons

250 = 250 Nominal Tons

260 = 260 Nominal Tons RTWD HSE only (with AFD)

270 = 270 Nominal Tons RTWD HSE only (with AFD)

## Digit 08 – Unit Voltage

A = 200/60/3

B = 230/60/3

C = 380/50/3

D = 380/60/3

E = 400/50/3

F = 460/60/3

G = 575/60/3

## Digit 09 – Manufacturing Plant

1 = Epinal, France

2 = Pueblo, USA

3 = Taicang, China

4 = Curitiba, Brazil

## Digit 10, 11 – Design Sequence

\*\* = First Design, etc. increment when parts are affected for service purposes

## Digits 12 – Unit Type

1 = Standard Efficiency/Performance

1 = Standard Efficiency/Performance

2 = High Efficiency/Performance

3 = Extra Efficiency/Performance (RTWD only)

## Digit 13 – Agency Listing

A = UL Listed to US and Canadian Safety Standards

B = CE Listing

C = Manufactured to GB Standards

## Digit 14 – Pressure Vessel Code

3 = Chinese Code-Imported Pressure Vessel

4 = Chinese Code-China Built Vessel

5 = PED

## Digit 15 – Unit Application

A = Std Condenser <=95°F/35°C Entering Water Temperature (RTWD only)

B = High Temperature Condenser >95°F/35°C Entering Water Temperature (RTWD only)

C = Water-to-Water Heat Pump (RTWD only)

D = Remote Condenser by Trane (RTUD only)

E = Remote Condenser by Others (RTUD only)

## Digit 16 – Pressure Relief Valve

1 = Single Relief Valve

2 = Dual Relief Valve with 3-Way Isolation Valve

## Digit 17 – Water Connection Type

A = Grooved Pipe Connection

B = Flanged Connection - Metric

## Digit 18 – Evaporator Tubes

A = Internal and External Enhanced Evap Tube

## Digit 19 – Number of Evap Passes

1 = 2 Pass Evaporator

2 = 3 Pass Evaporator

## Digit 20 – Evaporator Water Side Pressure

A = 150 psi/10.5 bar Evaporator Water Pressure

S = 300 psi/20.6 bar Evap Water Pressure

## Digit 21 – Evaporator Application

1 = Standard Cooling

2 = Low Temperature

3 = Ice Making

## Digit 22 – Condenser Tubes

A = Enhanced Fin - Copper (RTWD only)

B = Without Condenser (RTUD only)

B = Internally Enhanced 90/10 CuNi Fin

## Digit 23 – Condenser Water Side Pressure

1 = 150 psi/10.5 Bar Condenser Water Pressure

S = 300 psi/20.6 bar Cond Water Pressure

## Digit 24 – Compressor Starter Type

Y = Wye-Delta Closed Transition Starter

B = Adaptive Frequency Drive (HSE Version)

## Digit 25 – Incoming Power Line Connection

1 = Single Point Power Connection

2 = Dual Point Power Connection

## Digit 26 – Power Line Connection Type

A = Terminal Block Connection for Incoming Lines

B = Mechanical Disconnect Switch

C = Disconnect Switch Wired to Fuses

D = Circuit Breaker

E = High Fault Rated Panel with Circuit Breaker

## Digit 27 – Under/Over Voltage Protection

0 = No Under/Over Voltage Protection

1 = Under/Over Voltage Protection



## Model Number Descriptions

### Digit 28 – Unit Operator Interface

A = English  
 B = Spanish  
 D = French  
 E = German  
 F = Dutch  
 G = Italian  
 J = Portuguese-Portugal  
 R = Russian  
 T = Polish  
 U = Czech  
 V = Hungarian  
 W = Greek  
 X = Romanian  
 Y = Swedish

### Digit 29 – Remote Interface (Digital Comm)

0 = No Remote Digital Communication  
 1 = LonTalk/Tracer Summit Interface  
 2 = Time of Day Scheduling  
 4 = Unit Level BACnet  
 5 = Modbus interface  
 4 = Unit Level BACnet

### Digit 30 – External Water & Current-Limit Setpoint

0 = No External Water & Current-Limit Setpoint  
 A = External Water & Current-Limit Setpoint - 4–20 mA  
 B = External Water & Current-Limit Setpoint - 2–10 Vdc

### Digit 31 – Ice Making

0 = No Ice Making  
 A = Ice Making with Relay  
 B = Ice Making without Relay

### Digit 32 – Programmable Relays

0 = No Programmable Relays  
 A = Programmable Relays

### Digit 33 – Condenser Refrigerant Pressure Output Option

0 = No Condenser Refrigerant Pressure Output  
 1 = Condenser Water Control Output  
 2 = Condenser Pressure (%HPC) Output  
 3 = Differential Pressure Output

### Digits 34 – Outdoor Air Temp Sensor

0 = No Outdoor Air Temp Sensor (RTWD only)  
 A = Outdoor Air Temp Sensor-CWR/Low Ambient

### Digit 35 – Condenser Leaving Hot Water Temp Control

0 = No Condenser Leaving Hot Water Temp Control  
 1 = Condenser Leaving Hot Water Temp Control

### Digit 36 – Power Meter

0 = No Power Meter  
 P = Power Meter

### Digit 37 – Motor Current Analog Output (%RLA)

0 = No Motor Current Analog Output  
 1 = Motor Current Analog Output

### Digit 38 - A/C Fan Control

0 = No Fan control (RTWD only)  
 A = Fan Control by others (RTUD only)  
 B = Integral Fan Control (RTUD only)

### Digit 39 – Low Ambient Fan Control Type

0 = No Low Ambient Fan Control Type (RTWD only)  
 1 = Two-speed fans (RTUD only)  
 2 = Variable Speed Fan with Analog Interface (RTUD only)

### Digit 38 – A/C Fan Control

0 = No Condenser Refrigerant Pressure Output  
 A = No Fan Controls (RTWD)  
 B = Internal Fan Controls

### Digit 39 – Low Ambient Fan Control

0 = No Low Ambient Fan Control Type (RTWD)  
 1 = Two Speed Fan  
 2 = Variable Speed Fan with Analog Interface  
 3 = Variable Speed Fan with PWM Interface

### Digit 40 – Installation Accessories

0 = No Installation Accessories  
 A = Elastomeric Isolators  
 B = Flanged Water Connection Kit  
 C = Isolators & Flanged Water Connection Kit

### Digit 41 – Flow Switch

0 = No Flow Switch  
 1 = 150 psi NEMA 1; Flow Switch x 1  
 2 = 150 psi NEMA 1; Flow Switch x 2  
 3 = 150 psi NEMA 4; Flow Switch x 1  
 4 = 150 psi NEMA 4; Flow Switch x 2  
 5 = 10 bar IP-67; Flow Switch x 1  
 6 = 10 bar IP-67; Flow Switch x 2  
 7 = Factory Installed Proof of Water Flow

### Digit 42 – 2-Way Water Regulating Valve

0 = No 2-Way Water Regulating Valve

### Digit 43 – Sound Reduction Package

0 = No Sound Reduction Package  
 A = Sound Reduction – Factory Installed  
 A = 3" 150 psi/88.9 mm 10.5 bar 115 V  
 B = 3" 150 psi/88.9 mm 10.5 bar 220 V  
 C = 4" 150 psi/114.3 mm 10.5 bar 115 V  
 D = 4" 150 psi/114.3 mm 10.5 bar 220 V

### Digit 44 – Insulation

0 = No Insulation  
 1 = Factory Insulation - All Cold Parts  
 2 = Insulation for High Humidity

### Digit 45 – Factory Charge

0 = Full Factory Refrigerant Charge (R134a) (RTWD only)  
 1 = Nitrogen Charge (RTUD only)  
 1 = Nitrogen Charge

### Digit 46 – Base Rail Forklifting

0 = No Base Rail Forklifting  
 B = Base Rail Forklifting  
 0 = No Base Rail Forklifting



## Model Number Descriptions

### Digit 47 – Label and Literature Language

B = Spanish  
C = German  
D = English  
E = French  
H = Dutch SI (Hollandais)  
J = Italian  
P = Polish  
R = Russian  
T = Czech  
U = Greek  
V = Portuguese  
X = Romanian  
Y = Turkish  
Z = Slovak  
1 = Croatian  
2 = Hungarian

### Digit 48 – Special

0 = None  
S = Special

### Digit 49 – 55

0 = None

### Digit 56 – Shipping Package

0 = No Skid (Standard)  
1 = Skid  
2 = Shrink Wrap  
3 = Skid + Shrink Wrap  
4 = Container 1 Unit

### Digit 57 – Control Panel IP 20 Protection

0 = No IP 20 Protection of Control Panel  
1 = IP 20 Protection of Control Panel

### Digit 58 – Pressure Gages

0 = Without Pressure Gages  
1 = With Pressure Gages

### Digit 59 – Performance Test Options

0 = No Performance Test  
A = Standard Test TRANE Specifications (SES) (RTWD only)  
0 = No Performance Test (RTUD only)  
B = Customer Inspection w/ Standard Test  
C = 1 Point Test with Report  
D = 2 Point Test with Report  
E = 3 Point Test with Report  
F = 4 Point Test with Report  
G = Witness 1 Point Test with Report  
H = Witness 2 Point Test with Report  
J = Witness 3 Point Test with Report  
K = Witness 4 Point Test with Report

# General Data

**Table 1. General Data - RTWD Standard Efficiency**

Size		160 SE*	170 SE*	190 SE*	200 SE*
Net Cooling capacity (1) (3)	(kW)	585.1	647.1	725.3	796.6
Net EER (1) (3)		4.55	4.53	4.66	4.70
Eurovent Energy Class - Cooling		B	B	B	B
SEER (4)		5.50	5.43	5.73	5.83
Space Cooling efficiency $\eta_{s,c}$ (4)	(%)	217	214	226	230
Main Power Supply	V/Ph/Hz	400/3/50	400/3/50	400/3/50	400/3/50
<b>Compressor</b>					
Quantity		2	2	2	2
<b>Evaporator</b>					
Water Storage	(L)	69.4	75.5	84.0	90.1
<b>2 Pass Arrangement</b>					
Water Conn. Size	(in)	DN125 - 5" (139.7 mm)	DN125 - 5" (139.7 mm)	DN125 - 5" (139.7 mm)	DN125 - 5" (139.7 mm)
Minimum Flow	(L/s)	8.4	9.3	10.6	11.5
Maximum Flow	(L/s)	30.7	34.1	38.9	42.3
<b>3 Pass Arrangement</b>					
Water Conn. Size	(in)	DN100 - 4" (114.3 mm)	DN100 - 4" (114.3 mm)	DN100 - 4" (114.3 mm)	DN100 - 4" (114.3 mm)
Minimum Flow	(L/s)	5.6	6.2	7.1	7.7
Maximum Flow	(L/s)	20.4	22.7	25.9	28.2
<b>Condenser</b>					
Water Storage	(L)	87.5	93.6	102.9	111.1
Water Conn. Size	(in)	DN150 - 6" (168.3 mm)	DN150 - 6" (168.3 mm)	DN150 - 6" (168.3 mm)	DN150 - 6" (168.3 mm)
Minimum Flow	(L/s)	11.0	12.1	13.6	15.0
Maximum Flow	(L/s)	40.4	44.2	49.9	55.0
<b>General Unit</b>					
Refrigerant Type		R134a	R134a	R134a	R134a
# Refrig Circuits		2	2	2	2
Refrigerant Charge	(kg)	65/67	65/65	65/67	65/66
Oil Charge	(L)	9.9/11.7	11.7/11.7	11.7/11.7	11.7/11.7

(1) Evaporator 12/7°C and 0.0 m<sup>2</sup>K/kW, and condenser at 30/35°C and 0.0 m<sup>2</sup>K/kW.

(2) According to AHRI Standard 550/590, based on TOPSS (Trane Official Product Selection Software).

(3) Net performances calculated as per EN 14511-2013.

(4)  $\eta_{s,c}$  / SEER as defined in Directive 2009/125/EC of the European Parliament and of the Council with regard to Ecodesign requirements for Comfort Chillers with 2000 kW maximum capacity - COMMISSION REGULATION (EU) N° 2016/2281 of 20 December 2016.

\* Not available for comfort applications for countries adopting the Ecodesign directive.

## General Data

**Table 2. General Data - RTWD High Efficiency**

Size		060 HE	070 HE	080 HE	090 HE	100 HE	110 HE	120 HE
Net Cooling capacity (1) (3)	(kW)	239.4	282.2	323.3	372.1	397.6	426.3	461.8
Net EER (1) (3)		5.14	5.11	5.06	5.12	5.16	5.22	5.19
Eurovent Energy Class - Cooling		A	A	A	A	A	A	A
SEER (4)		6.08	6.33	6.25	6.15	6.30	6.38	6.40
Space Cooling efficiency $\eta_{s,c}$ (4)	(%)	240	250	247	243	249	252	253
Main Power Supply	V/ph/Hz	400/3/50	400/3/50	400/3/50	400/3/50	400/3/50	400/3/50	400/3/50
<b>Compressor</b>								
Quantity		2	2	2	2	2	2	2
<b>Evaporator</b>								
Water Storage	(L)	37.0	40.2	45.2	57.9	57.9	62.3	65.4
<b>2 Pass Arrangement</b>								
Water Conn. Size	(mm)	DN100 - 4" (114.3 mm)	DN100 - 4" (114.3 mm)	DN100 - 4" (114.3 mm)	DN125 - 5" (139.7 mm)	DN125 - 5" (139.7 mm)	DN125 - 5" (139.7 mm)	DN125 - 5" (139.7 mm)
Minimum Flow	(L/s)	4.5	5.0	5.7	7.0	7.0	7.7	8.2
Maximum Flow	(L/s)	16.6	18.4	21.1	25.7	25.7	28.2	30.0
<b>3 Pass Arrangement</b>								
Water Conn. Size	(mm)	DN80 - 3" (88.9 mm)	DN80 - 3" (88.9 mm)	DN80 - 3" (88.9 mm)	DN100 - 4" (114.3 mm)	DN100 - 4" (114.3 mm)	DN100 - 4" (114.3 mm)	DN100 - 4" (114.3 mm)
Minimum Flow	(L/s)	3.0	3.3	3.8	4.7	4.7	5.1	5.4
Maximum Flow	(L/s)	11.0	12.2	14.1	17.2	17.2	18.8	20.0
<b>Condenser</b>								
Water Storage	(L)	45.1	45.1	52.2	58.1	62.7	62.7	68.3
Water Conn. Size	(mm)	DN125 - 5" (139.7 mm)	DN125 - 5" (139.7 mm)	DN125 - 5" (139.7 mm)	DN125 - 5" (139.7 mm)	DN125 - 5" (139.7 mm)	DN125 - 5" (139.7 mm)	DN125 - 5" (139.7 mm)
Minimum Flow	(L/s)	5.4	5.4	6.6	7.3	8.1	8.1	9.1
Maximum Flow	(L/s)	19.9	19.9	24.4	26.9	29.8	29.8	33.2
<b>General Unit</b>								
Refrigerant Type		R134a	R134a	R134a	R134a	R134a	R134a	R134a
# Refrig Circuits		2	2	2	2	2	2	2
Refrigerant Charge	(kg)	45/45	45/45	44/44	55/55	55/56	55/55	54/54
Oil Charge	(L)	6.8/6.8	6.8/6.8	6.8/6.8	6.8/6.8	6.8/9.9	9.9/9.9	9.9/9.9

(1) Evaporator 12/7°C and 0.0 m<sup>2</sup>K/kW, and condenser at 30/35°C and 0.0 m<sup>2</sup>K/kW.

(2) According to AHRI Standard 550/590, based on TOPSS (Trane Official Product Selection Software).

(3) Net performances calculated as per EN 14511-2013.

(4)  $\eta_{s,c}$  / SEER as defined in Directive 2009/125/EC of the European Parliament and of the Council with regard to Ecodesign requirements for Comfort Chillers with 2000 kW maximum capacity - COMMISSION REGULATION (EU) N° 2016/2281 of 20 December 2016.

\* Not available for comfort applications for countries adopting the Ecodesign directive.

## General Data

**Table 2. General Data – RTWD High Efficiency (continued)**

Unit size		130 HE	140 HE	160 HE	180 HE	200 HE	220 HE	250 HE
Net Cooling capacity (1) (3)	(kW)	503.2	546	590.4	650.9	713.7	781.5	853.5
Net EER (1) (3)		5.32	5.31	5.26	5.21	5.23	5.25	5.20
Eurovent Energy Class - Cooling		A	A	A	A	A	A	A
SEER (4)		6.55	6.55	6.55	6.48	6.63	6.70	6.75
Space Cooling efficiency $\eta_{s,c}$ (4)	(%)	259	259	259	256	262	267	267
Main Power Supply	V/ph/Hz	400/3/50	400/3/50	400/3/50	400/3/50	400/3/50	400/3/50	400/3/50
<b>Compressor</b>								
Quantity		2	2	2	2	2	2	2
<b>Evaporator</b>								
Water Storage	(L)	72.6	77.0	85	91	108	113.3	120.3
<b>2 Pass Arrangement</b>								
Water Conn. Size	(mm)	DN125 - 5" (139.7 mm)	DN125 - 5" (139.7 mm)	DN125 - 5" (139.7 mm)	DN125 - 5" (139.7 mm)	DN150 - 6" (168.3 mm)	DN150 - 6" (168.3 mm)	DN150 - 6" (168.3 mm)
Minimum Flow	(L/s)	8.8	9.5	10.7	11.7	13.3	14.1	15.1
Maximum Flow	(L/s)	32.4	34.9	39.1	43	48.6	51.5	55.3
<b>3 Pass Arrangement</b>								
Water Conn. Size	(mm)	DN100 - 4" (114.3 mm)	DN100 - 4" (114.3 mm)	DN100 - 4" (114.3 mm)	DN100 - 4" (114.3 mm)	DN100 - 4" (114.3 mm)	DN100 - 4" (114.3 mm)	DN100 - 4" (114.3 mm)
Minimum Flow	(L/s)	5.9	6.4	7.13	7.82	8.83	9.3	10.1
Maximum Flow	(L/s)	21.6	23.3	26.12	28.64	32.43	34.3	36.9
<b>Condenser</b>								
Water Storage	(L)	81.7	86.8	93	99	118	117.8	133.3
Water Conn. Size	(mm)	DN150 - 6" (168.3 mm)	DN150 - 6" (168.3 mm)	DN150 - 6" (168.3 mm)	DN150 - 6" (168.3 mm)	DN150 - 6" (168.3 mm)	DN150 - 6" (168.3 mm)	DN150 - 6" (168.3 mm)
Minimum Flow	(L/s)	10.0	10.9	11.9	12.9	15.4	15.4	18.0
Maximum Flow	(L/s)	36.7	39.9	43.7	47.5	56.4	56.4	65.9
<b>General Unit</b>								
Refrigerant Type		R-134a	R-134a	R134a	R134a	R134a	R-134a	R-134a
# Refrig Circuits		2	2	2	2	2	2	2
Refrigerant Charge	(kg)	61/61	60/62	61/61	60/62	81/81	80/83	82/82
Oil Charge	(L)	9.9/9.9	9.9/9.9	10/10	10/12	12/12	11.7/11.7	11.7/11.7

(1) Evaporator 12/7°C and 0.0 m<sup>2</sup>K/kW, and condenser at 30/35°C and 0.0 m<sup>2</sup>K/kW.

(2) According to AHRI Standard 550/590, based on TOPSS (Trane Official Product Selection Software).

(3) Net performances calculated as per EN 14511-2013.

(4)  $\eta_{s,c}$  / SEER as defined in Directive 2009/125/EC of the European Parliament and of the Council with regard to Ecodesign requirements for Comfort Chillers with 2000 kW maximum capacity - COMMISSION REGULATION (EU) N° 2016/2281 of 20 December 2016.

\* Not available for comfort applications for countries adopting the Ecodesign directive.

## General Data

**Table 3. General Data – RTWD Extra Efficiency**

Size		160 XE	180 XE	200 XE
Net Cooling capacity (1)(3)	(kW)	606.4	667.9	720.0
Net EER (1) (3)		5.49	5.40	5.38
Eurovent Energy Class - Cooling		A	A	A
SEER (4)		6.80	6.83	6.78
Space Cooling efficiency $\eta_{s,c}$ (4)	(%)	269	270	268
Main Power Supply	V/ph/Hz	400/3/50	400/3/50	400/3/50
<b>Compressor</b>				
Quantity		2	2	2
<b>Evaporator</b>				
Water Storage	(L)	72.6	77.0	84.5
<b>2 Pass Arrangement</b>				
Water Conn. Size	(mm)	DN150 - 6" (168.3 mm)	DN150 - 6" (168.3 mm)	DN150 - 6" (168.3 mm)
Minimum Flow	(L/s)	11.7	12.7	15.1
Maximum Flow	(L/s)	43.0	46.6	55.3
<b>3 Pass Arrangement</b>				
Water Conn. Size	(mm)	DN100 - 4" (114.3 mm)	DN100 - 4" (114.3 mm)	DN100 - 4" (114.3 mm)
Minimum Flow	(L/s)	7.8	8.5	10.1
Maximum Flow	(L/s)	28.6	31.0	36.9
<b>Condenser</b>				
Water Storage	(l)	93.0	99.0	118.0
Water Conn. Size	(mm)	DN150 - 6" (168.3 mm)	DN150 - 6" (168.3 mm)	DN150 - 6" (168.3 mm)
Minimum Flow	(L/s)	12.9	15.4	20.5
Maximum Flow	(L/s)	47.5	56.4	75.1
<b>General Unit</b>				
Refrigerant Type		R-134a	R-134a	R-134a
# Refrig Circuits		2	2	2
Refrigerant Charge	(kg)	61/61	60/62	61/61
Oil Charge	(L)	9.9/9.9	9.9/9.9	9.9/9.9

(1) Evaporator 12/7°C and 0.0 m<sup>2</sup>K/kW, and condenser at 30/35°C and 0.0 m<sup>2</sup>K/kW.

(2) According to AHRI Standard 550/590, based on TOPSS (Trane Official Product Selection Software).

(3) Net performances calculated as per EN 14511-2013.

(4)  $\eta_{s,c}$  / SEER as defined in Directive 2009/125/EC of the European Parliament and of the Council with regard to Ecodesign requirements for Comfort Chillers with 2000 kW maximum capacity - COMMISSION REGULATION (EU) N° 2016/2281 of 20 December 2016.

\* Not available for comfort applications for countries adopting the Ecodesign directive.

## General Data

**Table 4. General Data - RTWD High Seasonal Efficiency**

Size		060 HSE	070 HSE	080 HSE	090 HSE	100 HSE	110 HSE	120 HSE	130 HSE
Net Cooling capacity (1) (3)	(kW)	243.6	286.0	328.9	379.6	405.1	433.8	467.7	501.9
Net EER (1) (3)		5.03	5.00	4.92	4.96	5.03	5.11	5.11	5.10
Eurovent Energy Class - Cooling		B	B	B	B	B	A	A	A
SEER (4)		6.43	6.63	6.63	6.68	6.70	6.95	6.63	7.15
Space Cooling efficiency $\eta_{s,c}$ (4)	(%)	254	262	262	264	265	275	262	283
Main Power Supply	V/ph/Hz	400/3/50	400/3/50	400/3/50	400/3/50	400/3/50	400/3/50	400/3/50	400/3/50
<b>Compressor</b>									
Quantity		2	2	2	2	2	2	2	2
<b>Evaporator</b>									
Water Storage	L	37.0	40.2	45.2	57.9	57.9	62.3	65.4	72.6
<b>2 pass arrangement</b>									
Water conn. Size	in	DN100-4" (114.3 mm)	DN100-4" (114.3 mm)	DN100-4" (114.3 mm)	DN125-5" (139.7 mm)	DN125-5" (139.7 mm)	DN125-5" (139.7 mm)	DN125-5" (139.7 mm)	DN125-5" (139.7 mm)
Minimum Flow	L/s	4.5	5.0	5.7	7.0	7.0	7.7	8.2	8.8
Maximum Flow	L/S	16.6	18.4	21.1	25.7	25.7	28.2	30.0	
<b>3 pass arrangement</b>									
Water conn size	in	DN80-3" (88.9 mm)	DN80-3" (88.9 mm)	DN80-3" (88.9 mm)	DN100-4" (114.3 mm)	DN100-4" (114.3 mm)	DN100-4" (114.3 mm)	DN100-4" (114.3 mm)	DN100-4" (114.3 mm)
Minimum Flow	L/s	3.0	3.3	3.8	4.7	4.7	5.1	5.4	5.9
Maximum Flow	L/s	11.0	12.2	14.1	17.2	17.2	18.8	20.0	21.6
<b>Condenser</b>									
Water Storage	L	45.1	45.1	52.2	58.1	62.7	62.7	68.3	81.7
Water conn. Size	in	DN125-5" (139.7 mm)	DN125-5" (139.7 mm)	DN125-5" (139.7 mm)	DN125-5" (139.7 mm)	DN125-5" (139.7 mm)	DN125-5" (139.7 mm)	DN125-5" (139.7 mm)	DN150-6" (168.3 mm)
Minimum Flow	L/s	5.4	5.4	6.6	7.3	8.1	8.1	9.1	10.0
Maximum Flow	L/s	19.9	19.9	24.4	26.9	29.8	29.8	33.2	36.7
<b>General Unit</b>									
Refrigerant Type		R134a	R134a	R134a	R134a	R134a	R134a	R134a	R134a
Nbr of refrigerant circuits		2	2	2	2	2	2	2	2
Refrigerant Charge	Kg	45/45	45/45	45/44	55/55	55/56	55/55	54/54	61/61
Oil Charge	L	6.8/6.8	6.8/6.8	6.8/6.8	6.8/6.8	6.8/9.9	9.9/9.9	9.9/9.9	9.9/9.9

(1) Evaporator 12/7°C and 0.0 m<sup>2</sup>K/kW, and condenser at 30/35°C and 0.0 m<sup>2</sup>K/kW.

(2) According to AHRI Standard 550/590, based on TOPSS (Trane Official Product Selection Software).

(3) Net performances calculated as per EN 14511-2013.

(4)  $\eta_{s,c}$  / SEER as defined in Directive 2009/125/EC of the European Parliament and of the Council with regard to Ecodesign requirements for Comfort Chillers with 2000 kW maximum capacity - COMMISSION REGULATION (EU) N° 2016/2281 of 20 December 2016.

\* Not available for comfort applications for countries adopting the Ecodesign directive.

## General Data

**Table 4. General Data - RTWD High Seasonal Efficiency (continued)**

Size		140 HSE	160 HSE	180 HSE	200 HSE	220 HSE	250 HSE	260 HSE	270 HSE
Net Cooling capacity (1) (3)	(kW)	546.6	611.4	671.0	720.5	776.8	844.5	923.0	1002.9
Net EER (1) (3)		5.13	5.36	5.27	5.20	4.97	4.98	4.66	4.67
Eurovent Energy Class - Cooling		A	A	A	A	B	B	B	B
SEER (4)		7.15	7.23	7.23	7.35	7.25	7.43	7.23	7.33
Space Cooling efficiency $\eta_{s,c}$ (4)	(%)	283	286	286	291	287	294	286	290
Main Power Supply	V/ph/Hz	400/3/50	400/3/50	400/3/50	400/3/50	400/3/50	400/3/50	400/3/50	400/3/50
<b>Compressor</b>									
Quantity		2	2	2	2	2	2	2	2
<b>Evaporator</b>									
Water Storage	L	77.0	72.6	77.0	84.5	113.3	120.3	113.3	120.3
<b>2 pass arrangement</b>									
Water conn. Size	in	DN125-5" (139.7 mm)	DN150-6" (168.3 mm)	DN150-6" (168.3 mm)	DN150-6" (168.3 mm)	DN150-6" (168.3 mm)	DN150-6" (168.3 mm)	DN150-6" (168.3 mm)	DN150-6" (168.3 mm)
Minimum Flow	L/s	9.5	11.7	12.7	15.1	14.1	15.1	14.1	15.1
Maximum Flow	L/S		43.0	46.6	55.3				
<b>3 pass arrangement</b>									
Water conn size	in	DN100-4" (114.3 mm)	DN100-4" (114.3 mm)	DN100-4" (114.3 mm)	DN100-4" (114.3 mm)	DN100-4" (114.3 mm)	DN100-4" (114.3 mm)	DN100-4" (114.3 mm)	DN100-4" (114.3 mm)
Minimum Flow	L/s	6.4	7.8	8.5	10.1	9.3	10.1	9.3	10.1
Maximum Flow	L/s	23.3	28.6	31.0	36.9	34.3	36.9	34.3	36.9
<b>Condenser</b>									
Water Storage	L	86.8	93.0	99.0	118.0	117.8	133.3	117.8	133.3
Water conn. Size	in	DN150-6" (168.3 mm)	DN150-6" (168.3 mm)	DN150-6" (168.3 mm)	DN150-6" (168.3 mm)	DN150-6" (168.3 mm)	DN150-6" (168.3 mm)	DN150-6" (168.3 mm)	DN150-6" (168.3 mm)
Minimum Flow	L/s	10.9	12.9	15.4	20.5	15.4	18.0	15.4	18.0
Maximum Flow	L/s	39.9	47.5	56.4	75.1	56.4	65.9	56.4	65.9
<b>General Unit</b>									
Refrigerant Type		R134a	R134A	R134A	R134A	R134a	R134a	R134a	R134a
Nbr of refrigerant circuits		2	2	2	2	2	2	2	2
Refrigerant Charge	Kg	60/62	61/61	61/62	61/61	80/83	82/82	80/83	82/82
Oil Charge	L	9.9/9.9	6.8/6.8	6.8/6.8	6.8/6.8	11.7/11.7	11.7/11.7	11.7/11.7	11.7/11.7

(1) Evaporator 12/7°C and 0.0 m<sup>2</sup>K/kW, and condenser at 30/35°C and 0.0 m<sup>2</sup>K/kW.

(2) According to AHRI Standard 550/590, based on TOPSS (Trane Official Product Selection Software).

(3) Net performances calculated as per EN 14511-2013.

(4)  $\eta_{s,c}$  / SEER as defined in Directive 2009/125/EC of the European Parliament and of the Council with regard to Ecodesign requirements for Comfort Chillers with 2000 kW maximum capacity - COMMISSION REGULATION (EU) N° 2016/2281 of 20 December 2016.

\* Not available for comfort applications for countries adopting the Ecodesign directive.



## General Data

**Table 5. General Data - RTWD Standard Efficiency + Heating Option**

Size		160 SE*	170 SE*	190 SE*	200 SE*
Net Cooling Capacity (1) (2)	(kW)	569.9	627.3	703.0	771.4
Net EER (1) (2)		4.20	4.15	4.27	4.30
Eurovent Energy Class - Cooling		D	D	C	C
SEER (3)		5.48	5.30	5.60	5.75
Space cooling Efficiency $\eta_{s,c}$ (3)	(%)	216	209	221	227
<b>Air Conditioning (5)</b>					
Net Heating Capacity (2)	(kW)	672.7	743.0	831.3	910.7
Net COP (2)		4.15	4.14	4.26	4.34
Eurovent Energy Class - Heating		B	C	B	B
<b>Low Temperature Heating (6)</b>					
Net Heating Capacity (2)	(kW)	691.7	761.9	849.4	929.3
Net COP (2)		4.88	4.84	4.91	4.94
SCOP (6)		4.99	4.94	4.96	5.04
Space Heating efficiency $\eta_{s,h}$ (6)	(%)	192	190	191	194
Main Power Supply	(V/PH/Hz)	400/3/50	400/3/50	400/3/50	400/3/50
<b>Compressor</b>					
Quantity		2	2	2	2
<b>Evaporator</b>					
Water Storage	L	69.4	75.5	84.0	90.1
<b>2 pass arrangement</b>					
Water conn. Size	in	DN125-5" (139.7 mm)	DN125-5" (139.7 mm)	DN125-5" (139.7 mm)	DN125-5" (139.7 mm)
Minimum Flow	L/s	8.4	9.3	10.6	11.5
Maximum Flow	L/s	30.7	34.1	38.9	42.3
<b>3 pass arrangement</b>					
Water conn size	in	DN100-4" (114.3 mm)	DN100-4" (114.3 mm)	DN100-4" (114.3 mm)	DN100-4" (114.3 mm)
Minimum Flow	L/s	5.6	6.2	7.1	7.7
Maximum Flow	L/s	20.4	22.7	25.9	28.2
<b>Condenser</b>					
Water Storage	L	87.5	93.6	102.9	111.1
Water conn. Size	in	DN150-6" (168.3 mm)	DN150-6" (168.3 mm)	DN150-6" (168.3 mm)	DN150-6" (168.3 mm)
Minimum Flow	L/s	11.0	12.1	13.6	15.0
Maximum Flow	L/s	40.4	44.2	49.9	55.0
<b>General Unit</b>					
Refrigerant Type		R134a	R134a	R134a	R134a
nbr of refrigerant circuits		2	2	2	2
Refrigerant Charge	Kg	65/67	65/65	65/67	65/66
Oil Charge	L	9.9/11.7	11.7/11.7	11.7/11.7	11.7/11.7

(1) At 30/35°C Entering/Leaving Condenser and 12/7°C Entering/Leaving Evaporator.

(2) Net performances calculated as per EN 14511-2013.

(3)  $\eta_{s,c}$  / SEER as defined in Directive 2009/125/EC of the European Parliament and of the Council with regard to Ecodesign requirements for Comfort Chillers with 2000 kW maximum capacity - COMMISSION REGULATION (EU) N° 2016/2281 of 20 December 2016.

(4) At 40/45°C Entering/Leaving Condenser and 10/7°C Entering/Leaving Evaporator.

(5) At 30/35°C Entering/Leaving Condenser and 10/7°C Entering/Leaving Evaporator.

(6)  $\eta_{s,h}$  / SCOP as defined in Directive 2009/125/EC of the European Parliament and of the Council with regard to Ecodesign requirements for space heaters with 400 kW maximum rated capacity - COMMISSION REGULATION (EU) N° 813/2013/EU of 2 August 2013.

\* Not available for Comfort Cooling applications for countries adopting the Ecodesign directive.

## General Data

**Table 6. General Data - RTWD High Efficiency + Heating Option**

Size		060 HE	070 HE	080 HE	090 HE	100 HE	110 HE*	120 HE*
Net Cooling Capacity (1) (2)	(kW)	234.8	279.0	316.6	360.9	386.4	414.8	445.2
Net EER (1) (2)		4.60	4.50	4.46	4.46	4.51	4.56	4.60
Eurovent Energy Class - Cooling		C	C	C	C	C	C	C
SEER (3)		6.00	6.20	6.00	5.73	5.58	5.73	5.80
Space cooling Efficiency $\eta_{s,c}$ (3)	(%)	237	245	237	226	220	226	229
<b>Air Conditioning (5)</b>								
Net Heating Capacity (2)	(kW)	263.8	311.8	357.9	410.2	438.4	469.1	509.8
Net COP (2)		4.50	4.49	4.45	4.50	4.52	4.57	4.56
Eurovent Energy Class - Heating		A	A	A	A	A	A	A
<b>Low Temperature Heating (6)</b>								
Net Heating Capacity (2)	(kW)	279.0	331.6	377.4	430.0	459.3	491.2	526.7
Net COP (2)		5.23	5.11	5.07	5.11	5.13	5.18	5.20
SCOP (6)		5.37	5.20	5.17	5.17	5.11	5.10	5.15
Space Heating efficiency $\eta_{s,h}$ (6)	(%)	207	200	199	199	197	196	198
Main Power Supply	(V/PH/Hz)	400/3/50	400/3/50	400/3/50	400/3/50	400/3/50	400/3/50	400/3/50
<b>Compressor</b>								
Quantity		2	2	2	2	2	2	2
<b>Evaporator</b>								
Water Storage	L	37.0	40.2	45.2	57.9	57.9	62.3	65.4
<b>2 pass arrangement</b>								
Water conn. Size	in	DN100-4" (114.3 mm)	DN100-4" (114.3 mm)	DN100-4" (114.3 mm)	DN125-5" (139.7 mm)	DN125-5" (139.7 mm)	DN125-5" (139.7 mm)	DN125-5" (139.7 mm)
Minimum Flow	L/s	4.5	5.0	5.7	7.0	7.0	7.7	8.2
Maximum Flow	L/S	16.6	18.4	21.1	25.7	25.7	28.2	30.0
<b>3 pass arrangement</b>								
Water conn size	in	"DN80-3" (88.9 mm)	"DN80-3" (88.9 mm)	"DN80-3" (88.9 mm)	DN100-4" (114.3 mm)	DN100-4" (114.3 mm)	DN100-4" (114.3 mm)	DN100-4" (114.3 mm)
Minimum Flow	L/s	3.0	3.3	3.8	4.7	4.7	5.1	5.4
Maximum Flow	L/s	11.0	12.2	14.1	17.2	17.2	18.8	20.0
<b>Condenser</b>								
Water Storage	L	45.1	45.1	52.2	58.1	62.7	62.7	68.3
Water conn. Size	in	DN125-5" (139.7 mm)	DN125-5" (139.7 mm)	DN125-5" (139.7 mm)	DN125-5" (139.7 mm)	DN125-5" (139.7 mm)	DN125-5" (139.7 mm)	DN125-5" (139.7 mm)
Minimum Flow	L/s	5.4	5.4	6.6	7.3	8.1	8.1	9.1
Maximum Flow	L/s	19.9	19.9	24.4	26.9	29.8	29.8	33.2
<b>General Unit</b>								
Refrigerant Type		R134a	R134a	R134a	R134a	R134a	R134a	R134a
Nbr of refrigerant circuits		2	2	2	2	2	2	2
Refrigerant Charge	Kg	45/45	45/45	45/44	55/55	55/56	55/55	54/54
Oil Charge	L	6.8/6.8	6.8/6.8	6.8/6.8	6.8/6.8	6.8/9.9	9.9/9.9	9.9/9.9

(1) At 30/35°C Entering/Leaving Condenser and 12/7°C Entering/Leaving Evaporator.

(2) Net performances calculated as per EN 14511-2013.

(3)  $\eta_{s,c}$  / SEER as defined in Directive 2009/125/EC of the European Parliament and of the Council with regard to Ecodesign requirements for Comfort Chillers with 2000 kW maximum capacity - COMMISSION REGULATION (EU) N° 2016/2281 of 20 December 2016.

(4) At 40/45°C Entering/Leaving Condenser and 10/7°C Entering/Leaving Evaporator.

(5) At 30/35°C Entering/Leaving Condenser and 10/7°C Entering/Leaving Evaporator.

(6)  $\eta_{s,h}$  / SCOP as defined in Directive 2009/125/EC of the European Parliament and of the Council with regard to Ecodesign requirements for space heaters with 400 kW maximum rated capacity - COMMISSION REGULATION (EU) N° 813/2013/EU of 2 August 2013.

\* Not available for Comfort Cooling applications for countries adopting the Ecodesign directive.

## General Data

**Table 6. General Data - RTWD High Efficiency + Heating Option (continued)**

Size		130 HE	140 HE	160 HE	180 HE	200 HE	220 HE	250 HE
Net Cooling Capacity (1) (2)	(kW)	480.5	527.1	576.1	631.5	688.9	754.2	824.0
Net EER (1) (2)		4.73	4.74	4.72	4.63	4.58	4.61	4.60
Eurovent Energy Class - Cooling		B	B	B	C	C	C	C
SEER (3)		6.05	5.98	6.13	5.90	5.98	6.18	6.38
Space cooling Efficiency $\eta_{s,c}$ (3)	(%)	239	236	242	233	236	244	252
<b>Air Conditioning (5)</b>								
Net Heating Capacity (2)	(kW)	550.6	601.6	654.8	723.0	791.6	870.1	950.2
Net COP (2)		4.54	4.57	4.64	4.60	4.61	4.61	4.67
Eurovent Energy Class - Heating		A	A	A	A	A	A	A
<b>Low Temperature Heating (6)</b>								
Net Heating Capacity (2)	(kW)	566.1	621.5	678.4	746.8	815.3	892.2	973.0
Net COP (2)		5.38	5.37	5.32	5.23	5.22	5.23	5.21
SCOP (6)		5.49	5.44	5.31	5.26	5.29	5.38	5.39
Space Heating efficiency $\eta_{s,h}$ (6)	(%)	212	210	204	202	204	207	208
Main Power Supply	(V/PH/Hz)	400/3/50	400/3/50	400/3/50	400/3/50	400/3/50	400/3/50	400/3/50
<b>Compressor</b>								
Quantity		2	2	2	2	2	2	2
<b>Evaporator</b>								
Water Storage	L	72.6	77.0	85.0	91.0	108.0	113.3	120.3
<b>2 pass arrangement</b>								
Water conn. Size	in	DN125-5" (139.7 mm)	DN125-5" (139.7 mm)	DN125-5" (139.7 mm)	DN125-5" (139.7 mm)	DN150-6" (168.3 mm)	DN150-6" (168.3 mm)	DN150-6" (168.3 mm)
Minimum Flow	L/s	8.8	9.5	10.7	11.7	13.3	14.1	15.1
Maximum Flow	L/S							
<b>3 pass arrangement</b>								
Water conn size	in	DN100-4" (114.3 mm)	DN100-4" (114.3 mm)	DN100-4" (114.3 mm)	DN100-4" (114.3 mm)	DN100-4" (114.3 mm)	DN100-4" (114.3 mm)	DN100-4" (114.3 mm)
Minimum Flow	L/s	5.9	6.4	7.1	7.8	8.8	9.3	10.1
Maximum Flow	L/s	21.6	23.3	26.1	28.6	32.4	34.3	36.9
<b>Condenser</b>								
Water Storage	L	81.7	86.8	93.0	99.0	118.0	117.8	133.3
Water conn. Size	in	DN150-6" (168.3 mm)	DN150-6" (168.3 mm)	DN150-6" (168.3 mm)	DN150-6" (168.3 mm)	DN150-6" (168.3 mm)	DN150-6" (168.3 mm)	DN150-6" (168.3 mm)
Minimum Flow	L/s	10.0	10.9	11.9	12.9	15.4	15.4	18.0
Maximum Flow	L/s	36.7	39.9	43.7	47.5	56.4	56.4	65.9
<b>General Unit</b>								
Refrigerant Type		R134a	R134a	R134a	R134a	R134a	R134a	R134a
Nbr of refrigerant circuits		2	2	2	2	2	2	2
Refrigerant Charge	Kg	61/61	60/62	61/61	60/62	81/81	80/83	82/82
Oil Charge	L	9.9/9.9	9.9/9.9	10/10	10/12	12/12	11.7/11.7	11.7/11.7

(1) At 30/35°C Entering/Leaving Condenser and 12/7°C Entering/Leaving Evaporator.

(2) Net performances calculated as per EN 14511-2013.

(3)  $\eta_{s,c}$  / SEER as defined in Directive 2009/125/EC of the European Parliament and of the Council with regard to Ecodesign requirements for Comfort Chillers with 2000 kW maximum capacity - COMMISSION REGULATION (EU) N° 2016/2281 of 20 December 2016.

(4) At 40/45°C Entering/Leaving Condenser and 10/7°C Entering/Leaving Evaporator.

(5) At 30/35°C Entering/Leaving Condenser and 10/7°C Entering/Leaving Evaporator.

(6)  $\eta_{s,h}$  / SCOP as defined in Directive 2009/125/EC of the European Parliament and of the Council with regard to Ecodesign requirements for space heaters with 400 kW maximum rated capacity - COMMISSION REGULATION (EU) N° 813/2013/EU of 2 August 2013.

\* Not available for Comfort Cooling applications for countries adopting the Ecodesign directive.

## General Data

**Table 7. General Data - RTWD Extra Efficiency + Heating Option**

Size		160 XE	180 XE	200 XE
Net Cooling Capacity (1) (2)	(kW)	590.8	647	694.3
Net EER (1) (2)		4.87	4.74	4.67
Eurovent Energy Class - Cooling		B	B	B
SEER (3)		5.98	6.10	6.05
Space cooling Efficiency $\eta_{s,c}$ (3)	(%)	236	241	239
<b>Air Conditioning (5)</b>				
Net Heating Capacity (2)	(kW)	668.0	736.6	794.5
Net COP (2)		4.76	4.73	4.72
Eurovent Energy Class - Heating		A	A	A
<b>Low Temperature Heating (6)</b>				
Net Heating Capacity (2)	(kW)	693.9	763.7	820.5
Net COP (2)		5.46	5.34	5.34
SCOP (6)		5.48	5.38	5.52
Space Heating efficiency $\eta_{s,h}$ (6)	(%)	211	207	213
Main Power Supply	(V/PH/Hz)	400/3/50	400/3/50	400/3/50
<b>Compressor</b>				
Quantity		2	2	2
<b>Evaporator</b>				
Water Storage	L	72.6	77.0	84.5
<b>2 pass arrangement</b>				
Water conn. Size	in	DN150-6" (168.3 mm)	DN150-6" (168.3 mm)	DN150-6" (168.3 mm)
Minimum Flow	L/s	11.7	12.7	15.1
Maximum Flow	L/s	43.0	46.6	55.3
<b>3 pass arrangement</b>				
Water conn size	in	DN100-4" (114.3 mm)	DN100-4" (114.3 mm)	DN100-4" (114.3 mm)
Minimum Flow	L/s	7.8	8.5	10.1
Maximum Flow	L/s	28.6	31.0	36.9
<b>Condenser</b>				
Water Storage	L	93.0	99.0	118.0
Water conn. Size	in	DN150-6" (168.3 mm)	DN150-6" (168.3 mm)	DN150-6" (168.3 mm)
Minimum Flow	L/s	5.4	5.4	6.6
Maximum Flow	L/s	19.9	19.9	24.4
<b>General Unit</b>				
Refrigerant Type		R134A	R134A	R134A
nbr of refrigerant circuits		2	2	2
Refrigerant Charge	Kg	45/45	45/45	44/44
Oil Charge	L	6.8/6.8	6.8/6.8	6.8/6.8

(1) At 30/35°C Entering/Leaving Condenser and 12/7°C Entering/Leaving Evaporator.

(2) Net performances calculated as per EN 14511-2013.

(3)  $\eta_{s,c}$  / SEER as defined in Directive 2009/125/EC of the European Parliament and of the Council with regard to Ecodesign requirements for Comfort Chillers with 2000 kW maximum capacity - COMMISSION REGULATION (EU) N° 2016/2281 of 20 December 2016.

(4) At 40/45°C Entering/Leaving Condenser and 10/7°C Entering/Leaving Evaporator.

(5) At 30/35°C Entering/Leaving Condenser and 10/7°C Entering/Leaving Evaporator.

(6)  $\eta_{s,h}$  / SCOP as defined in Directive 2009/125/EC of the European Parliament and of the Council with regard to Ecodesign requirements for space heaters with 400 kW maximum rated capacity - COMMISSION REGULATION (EU) N° 813/2013/EU of 2 August 2013.

\* Not available for Comfort Cooling applications for countries adopting the Ecodesign directive.

## General Data

**Table 8. General Data - RTWD High Seasonal Efficiency + Heating Option**

Size		060 HSE	070 HSE	080 HSE	090 HSE	100 HSE	110 HSE*	120 HSE*	130 HSE
Net Cooling Capacity (1) (2)	(kW)	234.8	276.3	317.2	364.9	391.3	420.4	453.8	487.9
Net EER (1) (2)		4.31	4.25	4.21	4.21	4.29	4.36	4.52	4.68
Eurovent Energy Class - Cooling		C	C	D	D	C	C	C	B
SEER (3)		6.83	6.43	5.95	5.48	5.28	5.75	5.73	6.33
Space cooling Efficiency $\eta_{s,c}$ (3)	(%)	270	254	235	216	208	227	226	250
<b>Air Conditioning (4)</b>									
Net Heating Capacity (2)	(kW)	270.2	317.6	367.3	423.3	451.0	481.4	520.7	560.0
Net COP (2)		4.42	4.40	4.35	4.40	4.42	4.47	4.49	4.50
Eurovent Energy Class - Heating		B	B	B	B	B	A	A	A
<b>Low Temperature Heating (5)</b>									
Net Heating Capacity (2)	(kW)	281.4	330.9	381.0	438.1	468.2	500.7	536.8	572.5
Net COP (2)		4.96	4.88	4.84	4.87	4.91	4.98	5.12	5.25
SCOP (6)		5.55	5.19	4.96	4.96	4.97	5.00	5.16	5.30
Space Heating efficiency $\eta_{s,h}$ (6)	(%)	214	200	191	190	191	192	198	204
Main Power Supply	(V/PH/Hz)	400/3/50	400/3/50	400/3/50	400/3/50	400/3/50	400/3/50	400/3/50	400/3/50
<b>Compressor</b>									
Quantity		2	2	2	2	2	2	2	2
<b>Evaporator</b>									
Water Storage	L	37.0	40.2	45.2	57.9	57.9	62.3	65.4	72.6
<b>2 pass arrangement</b>									
Water conn. Size	in	DN100-4" (114.3 mm)	DN100-4" (114.3 mm)	DN100-4" (114.3 mm)	DN125-5" (139.7 mm)	DN125-5" (139.7 mm)	DN125-5" (139.7 mm)	DN125-5" (139.7 mm)	DN125-5" (139.7 mm)
Minimum Flow	L/s	4.5	5.0	5.7	7.0	7.0	7.7	8.2	8.8
Maximum Flow	L/S	16.6	18.4	21.1	25.7	25.7	28.2	30.0	
<b>3 pass arrangement</b>									
Water conn size	in	"DN80-3" (88.9 mm)	"DN80-3" (88.9 mm)	"DN80-3" (88.9 mm)	DN100-4" (114.3 mm)	DN100-4" (114.3 mm)	DN100-4" (114.3 mm)	DN100-4" (114.3 mm)	DN100-4" (114.3 mm)
Minimum Flow	L/s	3.0	3.3	3.8	4.7	4.7	5.1	5.4	5.9
Maximum Flow	L/s	11.0	12.2	14.1	17.2	17.2	18.8	20.0	21.6
<b>Condenser</b>									
Water Storage	L	45.1	45.1	52.2	58.1	62.7	62.7	68.3	81.7
Water conn. Size	in	DN125-5" (139.7 mm)	DN125-5" (139.7 mm)	DN125-5" (139.7 mm)	DN125-5" (139.7 mm)	DN125-5" (139.7 mm)	DN125-5" (139.7 mm)	DN125-5" (139.7 mm)	DN150-6" (168.3 mm)
Minimum Flow	L/s	5.4	5.4	6.6	7.3	8.1	8.1	9.1	10.0
Maximum Flow	L/s	19.9	19.9	24.4	26.9	29.8	29.8	33.2	36.7
<b>General Unit</b>									
Refrigerant Type		R134a	R134a	R134a	R134a	R134a	R134a	R134a	R134a
Nbr of refrigerant circuits		2	2	2	2	2	2	2	2
Refrigerant Charge	Kg	45/45	45/45	45/44	55/55	55/56	55/55	54/54	61/61
Oil Charge	L	6.8/6.8	6.8/6.8	6.8/6.8	6.8/6.8	6.8/9.9	9.9/9.9	9.9/9.9	9.9/9.9

(1) At 30/35°C Entering/Leaving Condenser and 12/7°C Entering/Leaving Evaporator.

(2) Net performances calculated as per EN 14511-2013.

(3)  $\eta_{s,c}$  / SEER as defined in Directive 2009/125/EC of the European Parliament and of the Council with regard to Ecodesign requirements for Comfort Chillers with 2000 kW maximum capacity - COMMISSION REGULATION (EU) N° 2016/2281 of 20 December 2016.

(4) At 40/45°C Entering/Leaving Condenser and 10/7°C Entering/Leaving Evaporator.

(5) At 30/35°C Entering/Leaving Condenser and 10/7°C Entering/Leaving Evaporator.

(6)  $\eta_{s,h}$  / SCOP as defined in Directive 2009/125/EC of the European Parliament and of the Council with regard to Ecodesign requirements for space heaters with 400 kW maximum rated capacity - COMMISSION REGULATION (EU) N° 813/2013/EU of 2 August 2013.

\* Not available for Comfort Cooling applications for countries adopting the Ecodesign directive.

## General Data

**Table 8. General Data - RTWD High Seasonal Efficiency + Heating Option (continued)**

Size		140 HSE	160 HSE	180 HSE	200 HSE	220 HSE	250 HSE	260 HSE	270 HSE
Net Cooling Capacity (1) (2)	(kW)	532.7	596.1	655.1	705.1	762.2	829.2	892.7	970.9
Net EER (1) (2)		4.63	4.70	4.69	4.69	4.54	4.55	4.34	4.35
Eurovent Energy Class - Cooling		C	B	B	B	C	C	C	C
SEER (3)		6.25	6.23	6.58	6.80	6.70	6.65	6.43	6.38
Space cooling Efficiency $\eta_{s,c}$ (3)	(%)	247	246	260	269	265	263	254	252
<b>Air Conditioning (4)</b>									
Net Heating Capacity (2)	(kW)	609.3	674.6	741.9	798.2	869.5	945.3	1049.6	1139.8
Net COP (2)		4.52	4.70	4.60	4.54	4.44	4.49	4.24	4.29
Eurovent Energy Class - Heating		A	A	A	A	B	A	B	B
<b>Low Temperature Heating (5)</b>									
Net Heating Capacity (2)	(kW)	627.6	701.6	772.2	829.8	899.8	977.6	1059.3	1150.6
Net COP (2)		5.2	5.29	5.28	5.34	5.14	5.15	4.89	4.9
SCOP (6)		5.29	5.35	5.47	5.82	5.23	5.43	4.99	4.98
Space Heating efficiency $\eta_{s,h}$ (6)	(%)	204	206	211	225	201	209	192	191
Main Power Supply	(V/PH/Hz)	400/3/50	400/3/50	400/3/50	400/3/50	400/3/50	400/3/50	400/3/50	400/3/50
<b>Compressor</b>									
Quantity		2	2	2	2	2	2	2	2
<b>Evaporator</b>									
Water Storage	L	77.0	72.6	77.0	84.5	113.3	120.3	113.3	120.3
<b>2 pass arrangement</b>									
Water conn. Size	in	DN125-5" (139.7 mm)	DN150-6" (168.3 mm)	DN150-6" (168.3 mm)	DN150-6" (168.3 mm)	DN150-6" (168.3 mm)	DN150-6" (168.3 mm)	DN150-6" (168.3 mm)	DN150-6" (168.3 mm)
Minimum Flow	L/s	9.5	11.7	12.7	15.1	14.1	15.1	14.1	15.1
Maximum Flow	L/S		43.0	46.6	55.3				
<b>3 pass arrangement</b>									
Water conn size	in	DN100-4" (114.3 mm)	DN100-4" (114.3 mm)	DN100-4" (114.3 mm)	DN100-4" (114.3 mm)	DN100-4" (114.3 mm)	DN100-4" (114.3 mm)	DN100-4" (114.3 mm)	DN100-4" (114.3 mm)
Minimum Flow	L/s	6.4	7.8	8.5	10.1	9.3	10.1	9.3	10.1
Maximum Flow	L/s	23.3	28.6	31.0	36.9	34.3	36.9	34.3	36.9
<b>Condenser</b>									
Water Storage	L	86.8	93.0	99.0	118.0	117.8	133.3	117.8	133.3
Water conn. Size	in	DN150-6" (168.3 mm)	DN150-6" (168.3 mm)	DN150-6" (168.3 mm)	DN150-6" (168.3 mm)	DN150-6" (168.3 mm)	DN150-6" (168.3 mm)	DN150-6" (168.3 mm)	DN150-6" (168.3 mm)
Minimum Flow	L/s	10.9	12.9	15.4	20.5	15.4	18.0	15.4	18.0
Maximum Flow	L/s	39.9	47.5	56.4	75.1	56.4	65.9	56.4	65.9
<b>General Unit</b>									
Refrigerant Type		R134a	R134A	R134A	R134A	R134a	R134a	R134a	R134a
Nbr of refrigerant circuits		2	2	2	2	2	2	2	2
Refrigerant Charge	Kg	60/62	61/61	61/62	61/61	80/83	82/82	80/83	82/82
Oil Charge	L	9.9/9.9	6.8/6.8	6.8/6.8	6.8/6.8	11.7/11.7	11.7/11.7	11.7/11.7	11.7/11.7

(1) At 30/35°C Entering/Leaving Condenser and 12/7°C Entering/Leaving Evaporator.

(2) Net performances calculated as per EN 14511-2013.

(3)  $\eta_{s,c}$  / SEER as defined in Directive 2009/125/EC of the European Parliament and of the Council with regard to Ecodesign requirements for Comfort Chillers with 2000 kW maximum capacity - COMMISSION REGULATION (EU) N° 2016/2281 of 20 December 2016.

(4) At 40/45°C Entering/Leaving Condenser and 10/7°C Entering/Leaving Evaporator.

(5) At 30/35°C Entering/Leaving Condenser and 10/7°C Entering/Leaving Evaporator.

(6)  $\eta_{s,h}$  / SCOP as defined in Directive 2009/125/EC of the European Parliament and of the Council with regard to Ecodesign requirements for space heaters with 400 kW maximum rated capacity - COMMISSION REGULATION (EU) N° 813/2013/EU of 2 August 2013.

\* Not available for Comfort Cooling applications for countries adopting the Ecodesign directive.

## General Data

**Table 9. General Data - RTUD**

Size		060	070	080	090	100	110	120
<b>Performance (1)</b>								
Gross Capacity	(kW)	209	250	284	323	346	372	401
Total Power Input	(kW)	55	66	75	85	91	96	103
Main Power Supply		400-3-50	400-3-50	400-3-50	400-3-50	400-3-50	400-3-50	400-3-50
<b>Compressor</b>								
Quantity		2	2	2	2	2	2	2
<b>Evaporator</b>								
Water Storage	(L)	37	40.2	45.2	57.9	57.9	62.3	65.4
<b>2 Pass Arrangement</b>								
Water Conn. Size	(in)	DN100 - 4" (114.3 mm)	DN100 - 4" (114.3 mm)	DN100 - 4" (114.3 mm)	DN125 - 5" (139.7 mm)	DN125 - 5" (139.7 mm)	DN125 - 5" (139.7 mm)	DN125 - 5" (139.7 mm)
Minimum Flow (3)	(L/s)	4.5	5.0	5.7	7.0	7.0	7.7	8.2
Maximum Flow (3)	(L/s)	16.6	18.4	21.1	25.7	25.7	28.2	30
<b>3 Pass Arrangement</b>								
Water Conn. Size	(in)	DN80 - 3" (88.9 mm)	DN80 - 3" (88.9 mm)	DN80 - 3" (88.9 mm)	DN100 - 4" (114.3 mm)	DN100 - 4" (114.3 mm)	DN100 - 4" (114.3 mm)	DN100 - 4" (114.3 mm)
Minimum Flow (3)	(L/s)	3.0	3.3	3.8	4.7	4.7	5.1	5.4
Maximum Flow (3)	(L/s)	11	12.2	14.1	17.2	17.2	18.8	20.0
<b>General Unit</b>								
Refrigerant Type		R134a	R134a	R134a	R134a	R134a	R134a	R134a
# Refrig Circuits		2	2	2	2	2	2	2
Refrigerant Factory Charge	(kg)	-	-	-	-	-	-	-
Oil Charge (2)	(L)	6.8/6.8	6.8/6.8	6.8/6.8	6.8/6.8	6.8/9.9	9.9/9.9	9.9/9.9
Discharge Connection Diameter (2)	(in)	2"1/8 / 2"1/8	2"1/8 / 2"1/8	2"1/8 / 2"1/8	2"1/8 / 2"1/8	2"1/8 / 2"5/8	2"5/8 / 2"5/8	2"5/8 / 2"5/8
Liquid Connection Diameter (2)	(in)	1"1/8 / 1"1/8	1"1/8 / 1"1/8	1"1/8 / 1"1/8	1"1/8 / 1"1/8	1"1/8 / 1"1/8	1"1/8 / 1"1/8	1"1/8 / 1"1/8

(1) Conditions: Evaporator 7°C/12°C - Saturated Cond Temp 45°C/Liquid refrigerant Temp 40°C

(2) Data containing information on two circuits is shown as circuit 1/circuit 2.

(3) Flow limits are for water only.



## General Data

**Table 9. General Data - RTUD (continued)**

Size		130	140	160	170	180	190	200	220	250
<b>Performance (1)</b>										
Gross Capacity	(kW)	430	474	519	584	569	637	621	682	748
Total Power Input	(kW)	110	120	130	157	145	171	160	175	190
Main Power Supply		400-3-50	400-3-50	400-3-50	400-3-50	400-3-50	400-3-50	400-3-50	400-3-50	400-3-50
<b>Compressor</b>										
Quantity		2	2	2	2	2	2	2	2	2
<b>Evaporator</b>										
Water Storage	(L)	72.6	77	85	75.5	91	84.0	108	113.3	120.3
<b>2 Pass Arrangement</b>										
Water Conn. Size	(in)	DN125 - 5" (139.7 mm)	DN125 - 5" (139.7 mm)	DN125 - 5" (139.7 mm)	DN125 - 5" (139.7 mm)	DN125 - 5" (139.7 mm)	DN125 - 5" (139.7 mm)	DN150 - 6" (168.3 mm)	DN150 - 6" (168.3 mm)	DN150 - 6" (168.3 mm)
Minimum Flow (3)	(L/s)	8.8	9.5	10.7	9.3	11.7	10.6	13.2	14.1	15.1
Maximum Flow (3)	(L/s)	32.4	34.9	39.1	34.1	43.0	38.9	48.6	51.5	55.3
<b>3 Pass Arrangement</b>										
Water Conn. Size	(in)	DN100 - 4" (114.3 mm)	DN100 - 4" (114.3 mm)	DN100 - 4" (114.3 mm)	DN100 - 4" (114.3 mm)	DN100 - 4" (114.3 mm)	DN100 - 4" (114.3 mm)	DN100 - 4" (114.3 mm)	DN100 - 4" (114.3 mm)	DN100 - 4" (114.3 mm)
Minimum Flow (3)	(L/s)	5.9	6.4	7.1	6.2	7.8	7.1	8.8	9.3	10.1
Maximum Flow (3)	(L/s)	21.6	23.3	26.1	22.7	28.6	25.9	32.4	34.3	36.9
<b>General Unit</b>										
Refrigerant Type		R134a	R134a	R134a	R134a	R134a	R134a	R134a	R134a	R134a
# Refrig Circuits		2	2	2	2	2	2	2	2	2
Refrigerant Factory Charge	(kg)	-	-	-	-	-	-	-	-	-
Oil Charge (2)	(L)	9.9/9.9	9.9/9.9	10/10	11.7/11.7	10/12	11.7/11.7	12/12	11.7/11.7	11.7/11.7
Discharge Connection Diameter (2)	(in)	2"5/8 / 2"5/8	2"5/8 / 2"5/8	2"5/8 / 2"5/8	3"1/8 / 3"1/8	3"1/8 / 3"1/8	3"1/8 / 3"1/8	3"1/8 / 3"1/8	3"1/8 / 3"1/8	3"1/8 / 3"1/8
Liquid Connection Diameter (2)	(in)	1"3/8 / 1"3/8	1"3/8 / 1"3/8	1"3/8 / 1"3/8	1"3/8 / 1"3/8	1"3/8 / 1"3/8	1"3/8 / 1"5/8	1"3/8 / 1"3/8	1"3/8 / 1"5/8	1"5/8 / 1"5/8

(1) Conditions: Evaporator 7°C/12°C - Saturated CondTemp 45°C/Liquid refrigerant Temp 40°C

(2) Data containing information on two circuits is shown as circuit 1/circuit 2.

(3) Flow limits are for water only.



## LCD Touch-Screen Display with Multi-Language Support

The standard DynaView display provided with the Trane CH530 control panel features an LCD touch-screen, allowing access to all operational inputs and outputs. This display supports many languages.

### Display Features Include:

- LCD touch-screen with LED backlighting, for scrolling access to input and output operating information
- Single-screen, folder/tab-style display of all available information on individual components (evaporator, condenser, compressor, etc.)
- Manual override indication
- Password entry/lockout system to enable or disable display
- Automatic and immediate stop capabilities for standard or immediate manual shutdown
  - Fast, easy access to available chiller data in tabbed format, including:
    - Modes of operation, including normal cooling and ice making
    - Water temperatures and setpoints
    - Loading and limiting status and setpoints
    - Average line current
    - Outdoor air temperature
    - Start/stop differential timers
    - Auto/Manual mode for EXV, slide valve, and head pressure control
    - Pump status and override
    - Chilled water reset settings
    - Optional external setpoints, including:
      - i. Chilled water
      - ii. Current-limit
      - iii. Condenser leaving hot water temperature setpoint
      - iv. Ice building
- Reports, listed on a single tabbed screen for easy access, including:
  - Evaporator
  - Condenser
  - Compressor
- Evaporator, condenser, and compressor reports containing all operational information on individual components, including:
  - Water temperatures
  - Refrigerant pressures, temperatures, and approach
  - Oil pressure
  - Flow switch status
  - EXV position
  - Head pressure control command
  - Compressor starts and run-time
  - Line phase percent RLA, amps, and volts
- Alarm and diagnostic information, including:
  - Flashing alarms with touch-screen button of alarm condition
  - Scrollable list of last ten active diagnostics
  - Specific information on applicable diagnostic from list of over one-hundred
  - Automatic or manual resetting diagnostic types

### LonTalk/Tracer Summit Interface

LonTalk (LCI-C) or Tracer Summit communications capabilities are available, with communication link via single twisted-pair wiring to factory-installed, tested communication board.

Required features:

- LonTalk/Tracer Summit Interface

Additional options that may be used:

- Ice making
- Chilled water temperature reset - outdoor air

External devices required:

- Trane Tracer system or LonTalk compatible system level interface



## Controls

### Tracer Summit

Trane's depth of experience in chillers and controls makes us a well-qualified choice for automation of chiller plants using water-cooled chillers. The chiller plant control capabilities of the Trane Tracer Summit™ building automation system are unequalled in the industry. Our chiller plant automation software is fully pre-engineered and tested.

#### Energy Efficiency

- Sequences starting of chillers to optimize the overall chiller plant energy efficiency
- Individual chillers operate as base, peak, or swing based on capacity and efficiency
- Automatically rotates individual chiller operation to equalize runtime and wear between chillers
- Evaluates and selects the lowest energy consumption alternative from an overall system perspective

#### Easy Operation and Maintenance

- Remote monitoring and control
- Displays both current operation conditions and scheduled automated control actions
- Concise reports assist in planning for preventative maintenance and verifying performance
- Alarm notification and diagnostic messages aid in quick and accurate troubleshooting

When integrated with a Tracer Summit building management system the total building operation can be optimized. With this system option, the full breadth of Trane's HVAC and controls experience are applied to offer solutions to many facility issues. If your project calls for an interface to other systems, Tracer Summit can share data via BACnet™, the ASHRAE open systems protocol.

### LonTalk Chiller Controls

LonTalk is a communications protocol developed by the Echelon™ Corporation. The LonMark™ association develops control profiles using the LonTalk communication protocol. LonTalk is a unit level communications protocol.

LonTalk Communications Interface for Chillers (LCI-C) provides a generic automation system with the LonMark chiller profile inputs/outputs. In addition to the standard points, Trane provides other commonly used network output variables for greater interoperability with any automation system. The complete reference list of Trane LonTalk points is available on the LonMark web site.

Trane controls or another vendor's system can use the predefined list of points with ease to give the operator a complete picture of how the system is running.

## Time of Day Scheduling

Time of day scheduling allows the customer to perform simple chiller scheduling without the need for a building automation system.

This feature allows the user to set 10 events in a 7 day time period. For each event the user can specify an activation time and the days of the week the event is active. Any setpoints available can be specified for each event, such as the leaving chilled water temperature (standard) and the current-limit setpoint (optional if ordered).

#### Required features:

- Time of day scheduling

Additional options that if ordered may be incorporated into the scheduling:

- External chilled water setpoint
- External current-limit setpoint
- Condenser leaving hot water temperature setpoint
- Ice making initiation

## Hardwire Points

Remote devices wired from the control panel are another reliable method of providing auxiliary control to a building automation system. Inputs and outputs can be communicated via a typical 4–20 mA electrical signal, an equivalent 2–10 Vdc signal, or by utilizing contact closures.

#### Selectable options:

- External chilled water setpoint
- External current-limit setpoint
- Ice making control
- Condenser leaving hot water temperature control
- Chilled water temperature reset
- Condenser pressure output
- Motor current analog output
- Programmable relays - available outputs are: alarm-latching, alarm-auto reset, general alarm, warning, chiller limit mode, compressor running, head pressure relief request, and Tracer control

# Electrical Data

Oil Separator Crankcase Heater : 2 x 125 W all sizes RTWD/RTUD  
 Compressor Crankcase Heater : 2 x 150 W all sizes RTWD/RTUD  
 Control Circuit : Factory-installed transformer all sizes RTWD/RTUD  
 Short Circuit Intensity : 35 kA maximum all size RTWD/RTUD

**Table 10. Compressor Motor Electrical Data**

Model	Nominal Voltage (V/Ph/Hz)	Maximum Current for Unit with Standard Condenser Application (A) (1)	Maximum Current for Unit with High Condenser Application (A) (2)	Unit Starting Current for Unit with Standard Condenser Application (A) (1)(3)	Unit Starting Current for Unit with High Condenser Application (A) (2)(3)
RTWD 060 HE	400/3/50	102	142	152	167
RTWD 070 HE	400/3/50	124	166	177	193
RTWD 080 HE	400/3/50	142	187	192	208
RTWD 090 HE	400/3/50	161	208	206	224
RTWD 100 HE	400/3/50	176	228	242	260
RTWD 110 HE	400/3/50	192	248	254	275
RTWD 120 HE	400/3/50	209	267	291	312
RTWD 130 HE	400/3/50	227	287	304	327
RTWD 140 HE	400/3/50	244	311	346	369
RTWD 160 SE	400/3/50	286	377	391	419
RTWD 160 HE	400/3/50	261	335	359	387
RTWD 160 XE	400/3/50	261	335	359	387
RTWD 170 SE	400/3/50	311	419	410	451
RTWD 180 XE	400/3/50	286	377	391	419
RTWD 180 HE	400/3/50	286	377	391	419
RTWD 190 SE	400/3/50	343	458	473	514
RTWD 200 SE	400/3/50	374	496	497	543
RTWD 200 XE	400/3/50	311	419	410	451
RTWD 200 HE	400/3/50	311	419	410	451
RTWD 220 HE	400/3/50	343	458	473	514
RTWD 250 HE	400/3/50	374	496	497	543
RTWD 060 HSE	400/3/50	130	99	Linear	Linear
RTWD 070 HSE	400/3/50	153	122	Linear	Linear
RTWD 080 HSE	400/3/50	174	144	Linear	Linear
RTWD 090 HSE	400/3/50	189	154	Linear	Linear
RTWD 100 HSE	400/3/50	205	167	Linear	Linear
RTWD 110 HSE	400/3/50	220	181	Linear	Linear
RTWD 120 HSE	400/3/50	240	198	Linear	Linear
RTWD 130 HSE	400/3/50	259	215	Linear	Linear
RTWD 140 HSE	400/3/50	283	233	Linear	Linear
RTWD 160 HSE	400/3/50	306	250	Linear	Linear
RTWD 180 HSE	400/3/50	342	273	Linear	Linear
RTWD 200 HSE	400/3/50	378	295	Linear	Linear
RTWD 220 HSE	400/3/50	413	326	Linear	Linear
RTWD 250 HSE	400/3/50	448	357	Linear	Linear
RTWD 260 HSE	400/3/50	516	387	Linear	Linear
RTWD 270 HSE	400/3/50	561	421	Linear	Linear

(1) Digit 15 = A : Standard Condenser <= 35°C entering water temperature  
 (2) Digit 15 = B or C or D or E  
 (3) Wye-Delta start - One compressor at full load - the other compressor starting

## Electrical Data

**Table 10. Compressor Motor Electrical Data (continued)**

Model	Nominal Voltage (V/Ph/Hz)	Maximum Current for Unit with Standard Condenser Application (A) (1)	Maximum Current for Unit with High Condenser Application (A) (2)	Unit Starting Current for Unit with Standard Condenser Application (A) (1)(3)	Unit Starting Current for Unit with High Condenser Application (A) (2)(3)
RTUD 060	400/3/50	N/A	142	N/A	167
RTUD 070	400/3/50	N/A	166	N/A	193
RTUD 080	400/3/50	N/A	187	N/A	208
RTUD 090	400/3/50	N/A	208	N/A	224
RTUD 100	400/3/50	N/A	228	N/A	260
RTUD 110	400/3/50	N/A	248	N/A	275
RTUD 120	400/3/50	N/A	267	N/A	312
RTUD 130	400/3/50	N/A	287	N/A	327
RTUD 140	400/3/50	N/A	311	N/A	369
RTUD 160	400/3/50	N/A	335	N/A	387
RTUD 170	400/3/50	N/A	419	N/A	451
RTUD 180	400/3/50	N/A	377	N/A	419
RTUD 190	400/3/50	N/A	458	N/A	514
RTUD 200	400/3/50	N/A	419	N/A	451
RTUD 220	400/3/50	N/A	458	N/A	514
RTUD 250	400/3/50	N/A	496	N/A	543

(1) Digit 15 = A : Standard Condenser <= 35°C entering water temperature

(2) Digit 15 = B or C or D or E

(3) Wye-Delta start - One compressor at full load - the other compressor starting

## Electrical Data

**Table 11. Electrical Connection RTWD SE, HE, XE and RTUD**

Unit size	Nominal Voltage (V/Ph/Hz)	Efficiency	Digit 15 (Evaporator application)	RLA	Fuse Size (A)	Disconnect Switch Size (A)	Maximum Connecting Wire (mm <sup>2</sup> )	Bus Bar Width (mm)
160	400/3/50	SE	A	98 / 117	160 / 200	6 x 250	2 x 185	32
160	400/3/50	SE	B,C,D,E	126 / 158	200 / 250	6 x 400	2 x 240	45
170	400/3/50	SE	A	117 / 117	200 / 200	6 x 250	2 x 185	32
170	400/3/50	SE	B,C,D,E	158 / 158	250 / 250	6 x 400	2 x 240	45
190	400/3/50	SE	A	117 / 141	200 / 250	6 x 250	2 x 185	32
190	400/3/50	SE	B,C,D,E	158 / 187	250 / 315	6 x 400	2 x 240	45
200	400/3/50	SE	A	141 / 141	250 / 250	6 x 250	2 x 185	32
200	400/3/50	SE	B,C	187 / 187	315 / 315	6 x 400	2 x 240	45
060	400/3/50	HE	A	38 / 38	63 / 63	6 x 160	2 x 95	20
060	400/3/50	HE	B,C,D,E	53 / 53	80 / 80	6 x 160	2 x 95	20
070	400/3/50	HE	A	46 / 46	80 / 80	6 x 160	2 x 95	20
070	400/3/50	HE	B,C,D,E	62 / 62	100 / 100	6 x 160	2 x 95	20
080	400/3/50	HE	A	46 / 60	80 / 125	6 x 160	2 x 95	20
080	400/3/50	HE	B,C,D,E	62 / 78	100 / 125	6 x 160	2 x 95	20
090	400/3/50	HE	A	60 / 60	100 / 100	6 x 160	2 x 95	20
090	400/3/50	HE	B,C,D,E	78 / 78	125 / 125	6 x 160	2 x 95	20
100	400/3/50	HE	A	60 / 72	100 / 125	6 x 160	2 x 95	20
100	400/3/50	HE	B,C,D,E	78 / 93	125 / 160	6 x 160	2 x 95	20
110	400/3/50	HE	A	72 / 72	125 / 125	6 x 160	2 x 95	20
110	400/3/50	HE	B,C,D,E	93 / 93	160 / 160	6 x 160	2 x 95	20
120	400/3/50	HE	A	72 / 85	125 / 160	6 x 160	2 x 95	20
120	400/3/50	HE	B,C,D,E	93 / 108	160 / 160	6 x 160	2 x 95	20
130	400/3/50	HE	A	85 / 85	125 / 125	6 x 250	2 x 185	32
130	400/3/50	HE	B,C,D,E	108 / 108	160 / 160	6 x 250	2 x 185	32
140	400/3/50	HE	A	85 / 98	125 / 160	6 x 250	2 x 185	32
140	400/3/50	HE	B,C,D,E	108 / 126	160 / 200	6 x 250	2 x 185	32
160	400/3/50	HE	A	98 / 98	160 / 160	6 x 250	2 x 185	32
160	400/3/50	HE	B,C	126 / 126	200 / 200	6 x 250	2 x 185	32
180	400/3/50	HE	A	98 / 117	160 / 200	6 x 250	2 x 185	32
180	400/3/50	HE	B,C	126 / 158	200 / 250	6 x 400	2 x 240	45
200	400/3/50	HE	A	117 / 117	200 / 200	6 x 250	2 x 185	32
200	400/3/50	HE	B,C	158 / 158	250 / 250	6 x 400	2 x 240	45
220	400/3/50	HE	A	117 / 141	200 / 250	6 x 250	2 x 185	32
220	400/3/50	HE	B,C,D,E	158 / 187	250 / 315	6 x 400	2 x 240	45
250	400/3/50	HE	A	141 / 141	250 / 250	6 x 250	2 x 185	32
250	400/3/50	HE	B,C,D,E	187 / 187	315 / 315	6 x 400	2 x 240	45
160	400/3/50	XE	A	98 / 98	160 / 160	6 x 250	2 x 185	32
160	400/3/50	XE	B,C	126 / 126	200 / 200	6 x 250	2 x 185	32
180	400/3/50	XE	A	98 / 117	160 / 200	6 x 250	2 x 185	32
180	400/3/50	XE	B,C	126 / 158	200 / 250	6 x 400	2 x 240	45
200	400/3/50	XE	A	117 / 117	200 / 200	6 x 250	2 x 185	32
200	400/3/50	XE	B,C	158 / 158	250 / 250	6 x 400	2 x 240	45

## Electrical Data

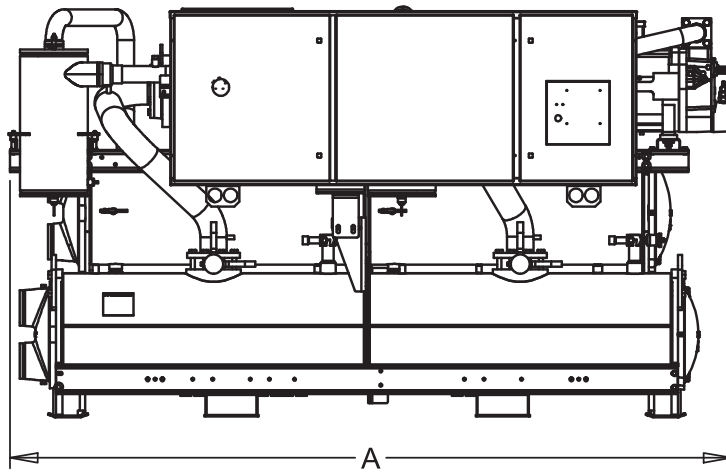
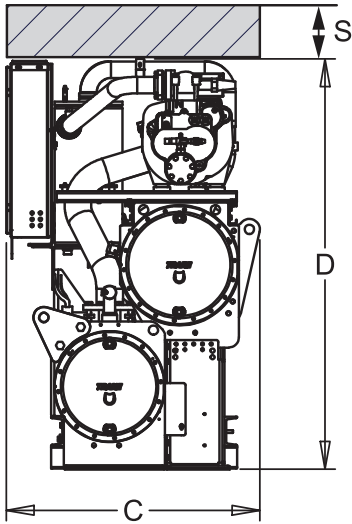
**Table 12. Electrical Connection HSE**

Unit size	Nominal Voltage (V/Ph/Hz)	Efficiency	Digit 15 (Evaporator application)	RLA	Fuse Size (A)	Disconnect Switch Size (A)	Maximum Connecting Wire (mm <sup>2</sup> )	Bus Bar Width (mm)
060	400/3/50	HSE	A	38 / 38	63 / 63	6 x 160	2 x 95	20
060	400/3/50	HSE	B,C	53 / 53	80 / 80	6 x 160	2 x 95	20
070	400/3/50	HSE	A	46 / 46	80 / 80	6 x 160	2 x 95	20
070	400/3/50	HSE	B,C	62 / 62	100 / 100	6 x 160	2 x 95	20
080	400/3/50	HSE	A	46 / 60	80 / 125	6 x 160	2 x 95	20
080	400/3/50	HSE	B,C	62 / 78	100 / 125	6 x 160	2 x 95	20
090	400/3/50	HSE	A	60 / 60	100 / 100	6 x 160	2 x 95	20
090	400/3/50	HSE	B,C	78 / 78	125 / 125	6 x 160	2 x 95	20
100	400/3/50	HSE	A	60 / 72	100 / 125	6 x 160	2 x 95	20
100	400/3/50	HSE	B,C	78 / 93	125 / 160	6 x 160	2 x 95	20
110	400/3/50	HSE	A	72 / 72	125 / 125	6 x 160	2 x 95	20
110	400/3/50	HSE	B,C	93 / 93	160 / 160	6 x 160	2 x 95	20
120	400/3/50	HSE	A	72 / 85	125 / 160	6 x 160	2 x 95	20
120	400/3/50	HSE	B,C	93 / 108	160 / 160	6 x 250	2 x 185	32
130	400/3/50	HSE	A	85 / 85	125 / 125	6 x 250	2 x 185	32
130	400/3/50	HSE	B,C	108 / 108	160 / 160	6 x 250	2 x 185	32
140	400/3/50	HSE	A	85 / 98	125 / 160	6 x 250	2 x 185	32
140	400/3/50	HSE	B,C	108 / 126	160 / 200	6 x 250	2 x 185	32
160	400/3/50	HSE	A	98 / 98	160 / 160	6 x 250	2 x 185	32
160	400/3/50	HSE	B,C	126 / 126	200 / 200	6 x 250	2 x 185	32
180	400/3/50	HSE	A	98 / 117	160 / 200	6 x 250	2 x 185	32
180	400/3/50	HSE	B,C	126 / 158	200 / 250	6 x 400	2 x 240	45
200	400/3/50	HSE	A	117 / 117	200 / 200	6 x 250	2 x 185	32
200	400/3/50	HSE	B,C	158 / 158	250 / 250	6 x 400	2 x 240	45
220	400/3/50	HSE	A	117 / 141	200 / 250	6 x 250	2 x 185	32
220	400/3/50	HSE	B,C	158 / 187	250 / 315	6 x 400	2 x 240	45
250	400/3/50	HSE	A	141 / 141	200 / 200	6 x 250	2 x 185	32
250	400/3/50	HSE	B,C	187 / 187	315 / 315	6 x 400	2 x 240	45
260	400/3/50	HSE	A	147 / 178	200 / 200	6 x 250	2 x 185	32
260	400/3/50	HSE	B,C	197 / 234	315 / 315	6 x 400	2 x 240	45
270	400/3/50	HSE	A	178 / 178	200 / 200	6 x 250	2 x 185	32
270	400/3/50	HSE	B,C	234 / 234	315 / 315	6 x 400	2 x 240	45

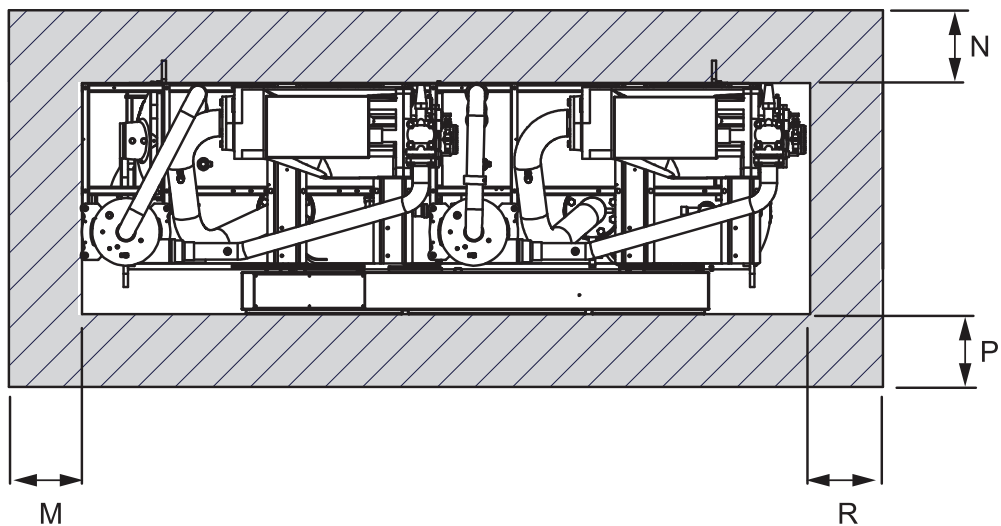
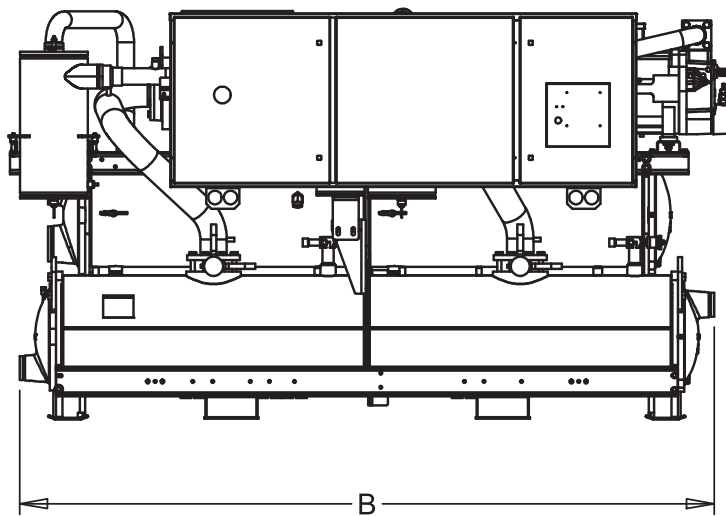
# Dimensions

RTWD SE, HE, XE

2 PASS EVP



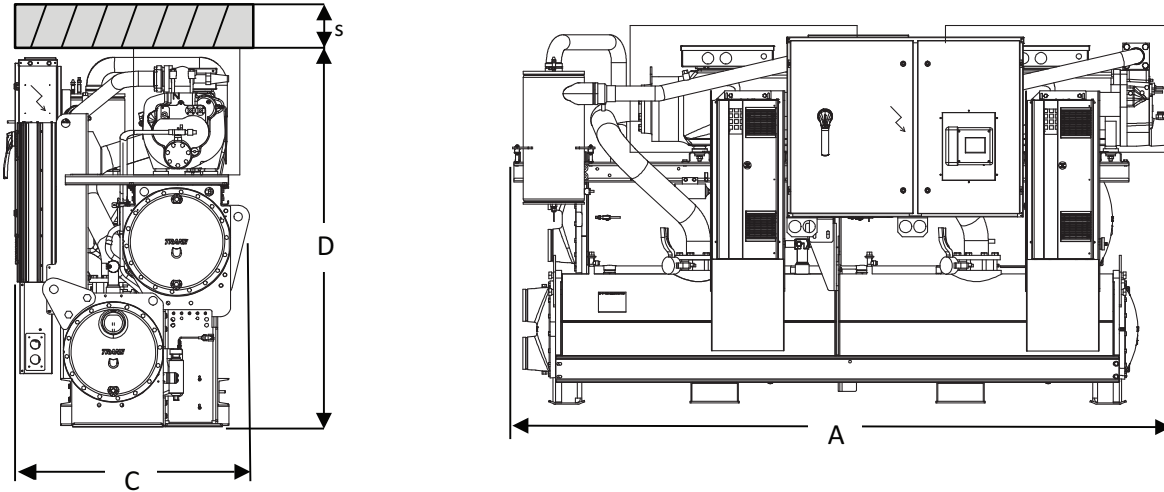
3 PASS EVP



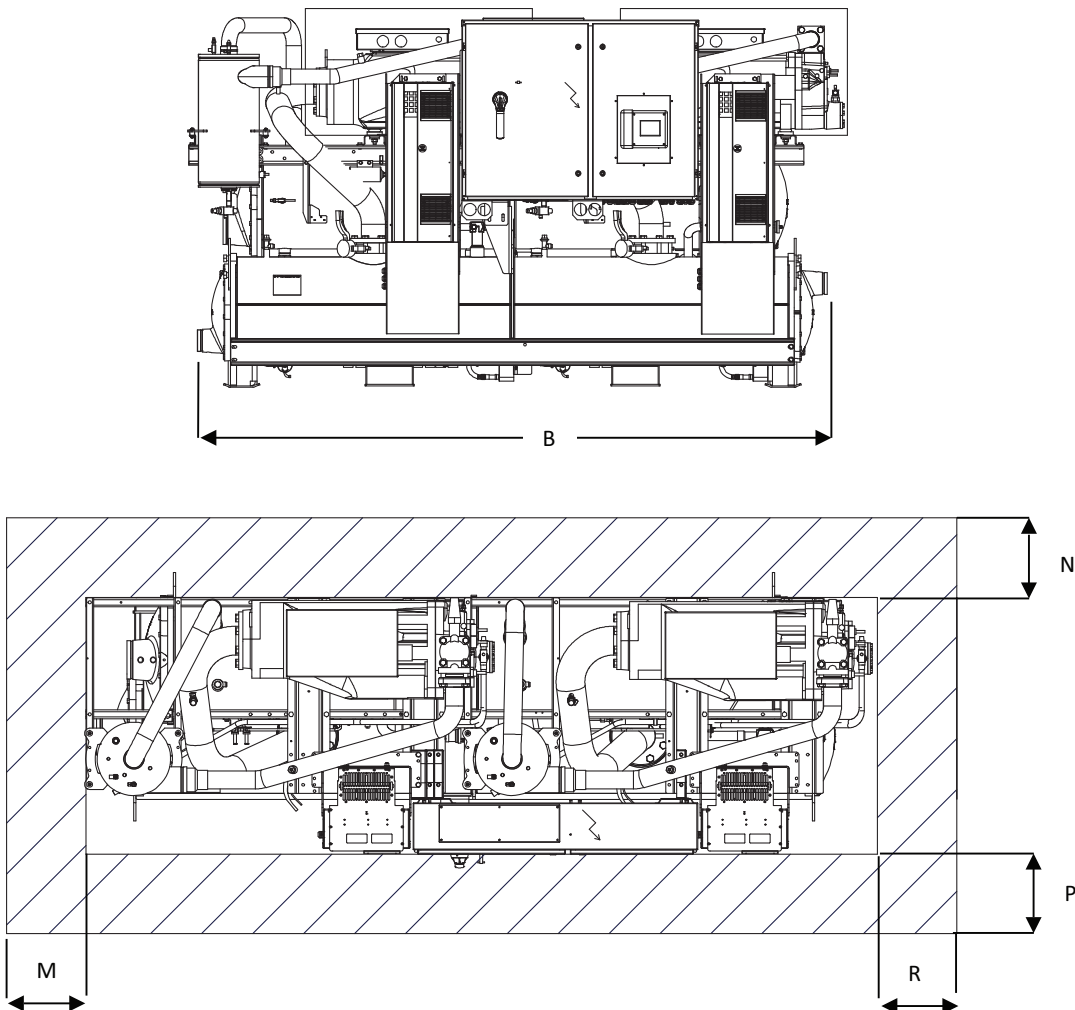
## Dimensions

### RTWD HSE

#### 2 PASS EVAPORATOR



#### 3 PASS EVAPORATOR





## Dimensions

**Table 13. Dimensions**

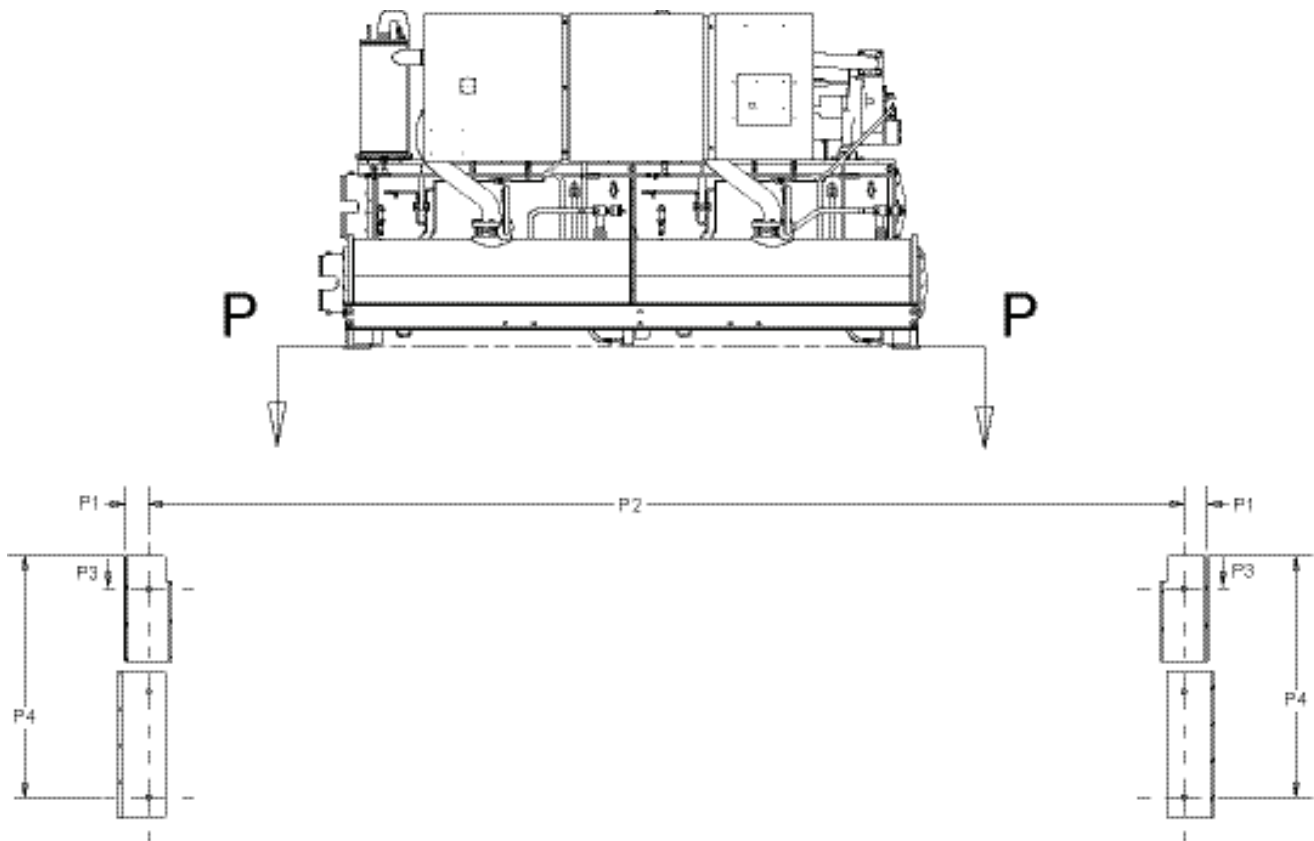
RTWD Unit size	A mm	B mm	C mm	D mm	M mm	N mm	P mm	R mm	S mm
160SE	3490	3490	1310	1970	920	920	1020	2920	920
170SE	3490	3490	1310	1970	920	920	1020	2920	920
190SE	3490	3490	1310	1970	920	920	1020	2920	920
200SE	3490	3490	1310	1970	920	920	1020	2920	920
60HE	3210	3320	1070	1940	920	920	920	2920	920
70HE	3210	3320	1070	1940	920	920	920	2920	920
80HE	3210	3320	1070	1940	920	920	920	2920	920
90HE	3230	3320	1060	1960	920	920	920	2920	920
100HE	3320	3320	1060	1960	920	920	920	2920	920
110HE	3230	3320	1060	1960	920	920	920	2920	920
120HE	3240	3320	1060	1960	920	920	920	2920	920
130HE	3400	3400	1280	1950	920	920	920	2920	920
140HE	3400	3400	1280	1950	920	920	920	2920	920
160HE	3400	3400	1280	1950	920	920	1020	2920	920
180HE	3490	3490	1310	1970	920	920	1020	2920	920
200HE	3490	3490	1310	2010	920	920	1020	2920	920
220HE	3490	3490	1310	2010	920	920	1020	2920	920
250HE	3490	3490	1310	2010	920	920	1020	2920	920
160XE	3760	3830	1280	2010	920	920	1020	3420	920
180XE	3810	3830	1310	2010	920	920	1020	3420	920
200XE	3490	3490	1310	2010	920	920	1020	2920	920
060 HSE	3210	3320	1130	1940	920	920	920	2920	920
070 HSE	3210	3320	1130	1940	920	920	920	2920	920
080 HSE	3210	3320	1130	1940	920	920	920	2920	920
090 HSE	3230	3320	1120	1960	920	920	920	2920	920
100 HSE	3320	3320	1120	1960	920	920	920	2920	920
110 HSE	3230	3320	1120	1960	920	920	920	2920	920
120 HSE	3240	3320	1120	1960	920	920	920	2920	920
130 HSE	3400	3400	1300	1950	920	920	920	2920	920
140 HSE	3400	3400	1300	1950	920	920	920	2920	920
160 HSE	3760	3830	1300	2010	920	920	1020	3420	920
180 HSE	3810	3830	1330	2010	920	920	1020	3420	920
200 HSE	3490	3490	1340	2010	920	920	1020	2920	920
220 HSE	3490	3490	1340	2010	920	920	1020	2920	920
250 HSE	3490	3490	1340	2010	920	920	1020	2920	920
260 HSE	3490	3490	1340	2010	920	920	1020	2920	920
270 HSE	3490	3490	1340	2010	920	920	1020	2920	920

**Note:** These dimensions are the maximum for a specific size, they may vary from one configuration to another within a same size. For accurate dimensions of your specific configuration, refer to relevant submittal drawings.

## Dimensions

RTUD Unit size	A mm	B mm	C mm	D mm	M mm	N mm	P mm	R mm	S mm
60	3310	3320	1070	1960	920	920	920	2920	920
70	3310	3320	1070	1960	920	920	920	2920	920
80	3310	3320	1070	1960	920	920	920	2920	920
90	3230	3320	1070	1960	920	920	920	2920	920
100	3230	3320	1070	1960	920	920	920	2920	920
110	3230	3320	1070	1960	920	920	920	2920	920
120	3240	3320	1070	1960	920	920	920	2920	920
130	3400	3400	1280	1950	920	920	920	2920	920
140	3400	3400	1280	1950	920	920	920	2920	920
160	3400	3400	1280	1950	920	920	920	2920	920
170	3490	3490	1310	1970	920	920	1020	2920	920
180	3400	3400	1280	1950	920	920	920	2920	920
190	3490	3490	1310	1970	920	920	1020	2920	920
200	3490	3490	1310	2010	920	920	1020	2920	920
220	3490	3490	1310	2010	920	920	1020	2920	920
250	3490	3490	1310	2010	920	920	1020	2920	920
260	3490	3490	1310	2010	920	920	1020	2920	920
270	3490	3490	1310	2010	920	920	1020	2920	920

**Note:** These dimensions are the maximum for a specific size, they may vary from one configuration to another within a same size. For accurate dimensions of your specific configuration, refer to relevant submittal drawings.



## Dimensions

**Table 14. RTWD SE, HE, XE and RTUD unit footprint - all sizes**

mm	High Efficiency 60-120 tons	High Efficiency 130-180 tons	Standard Efficiency 160-200 tons	Extra Efficiency 160-180 tons	Extra Efficiency 200 tons	High Efficiency 200-250 tons
P1	76	76	76	76	76	76
P2	2845	2845	2845	3353	2845	2845
P3	61	109	109	109	109	109
P4	671	744	744	744	744	744

**Note:** Base hole diameter all 16 mm

**Table 15. RTWD HSE unit footprint**

mm	60-120 tons	130-140 tons	160-180 tons	200 tons	220-270 tons
P1	76	76	76	76	76
P2	2845	2845	3353	2845	2845
P3	61	109	109	109	109
P4	671	744	744	744	744

**Table 16. RTWD/RTUD weights**

Model	Operating Weight (Kg)	Shipping Weight (Kg)
RTWD 160 SE	3874	3718
RTWD 170 SE	4049	3881
RTWD 190 SE	4086	3900
RTWD 200 SE	4125	3924
RTWD 060 HE	2650	2568
RTWD 070 HE	2658	2573
RTWD 080 HE	2673	2637
RTWD 090 HE	2928	2812
RTWD 100 HE	2970	2849
RTWD 110 HE	3008	2883
RTWD 120 HE	3198	3065
RTWD 130 HE	3771	3616
RTWD 140 HE	3802	3638
RTWD 160 HE	3846	3668
RTWD 180 HE	4042	3851
RTWD 200 HE	4488	4262
RTWD 220 HE	4504	4273
RTWD 250 HE	4579	4326
RTWD 160 XE	4172	3954
RTWD 180 XE	4408	4175
RTWD 200 XE	4625	4357

**Note:** All weights +/- 3% - add 62 Kg for units with sound acoustic package. Weights are maximum for each size and may vary from one configuration to another for the same size.

## Dimensions

**Table 16. RTWD/RTUD weights (continued)**

Model	Operating Weight (Kg)	Shipping Weight (Kg)
RTWD 060 HSE	2788	2706
RTWD 070 HSE	2796	2711
RTWD 080 HSE	2829	2793
RTWD 090 HSE	3102	2986
RTWD 100 HSE	3144	3023
RTWD 110 HSE	3182	3057
RTWD 120 HSE	3372	3239
RTWD 130 HSE	3945	3790
RTWD 140 HSE	3996	3832
RTWD 160 HSE	4386	4168
RTWD 180 HSE	4622	4389
RTWD 200 HSE	4839	4571
RTWD 220 HSE	4718	4487
RTWD 250 HSE	4793	4540
RTWD 260 HSE	4718	4487
RTWD 270 HSE	4793	4540
RTUD 060	2260	2223
RTUD 070	2269	2229
RTUD 080	2329	2284
RTUD 090	2440	2382
RTUD 100	2468	2410
RTUD 110	2507	2445
RTUD 120	2683	2618
RTUD 130	3151	3078
RTUD 140	3164	3087
RTUD 160	3310	3225
RTUD 170	3421	3346
RTUD 180	3485	3393
RTUD 190	3429	3345
RTUD 200	3584	3476
RTUD 220	3623	3510
RTUD 250	3645	3525

**Note:** All weights +/- 3% - add 62 Kg for units with sound acoustic package. Weights are maximum for each size and may vary from one configuration to another for the same size.



# Notes



## Notes



## Notes

Trane - by Trane Technologies (NYSE: TT), a global climate innovator - creates comfortable, energy efficient indoor environments for commercial and residential applications. For more information, please visit [trane.com](http://trane.com) or [tranetechnologies.com](http://tranetechnologies.com).

Trane has a policy of continuous product and product data improvement and reserves the right to change design and specifications without notice. We are committed to using environmentally conscious print practices.

RLC-PRC035K-GB October 2020  
Supersedes RLC-PRC035J-GB (April 2020)

© 2020 Trane

Confidential and proprietary Trane information